

BS1139-6:2014

No: CE/21-22/046



Assembly Manual Cantilever Towers MACL Series

Aluminium Mobile Cantilever Towers

MACL

BS1139-6 3 7/9 XXXD

The **AFFIX Tower** is a mobile access tower manufactured in our **ISO 9001** accredited facility.

This user guide provides you with step by step instructions to ensure your system is assembled easily and safely, using the **3T (Through the Trapdoor) method**.





DESCRIPTION:

The Affix **MACL** Series Mobile Tower are versatile and user-friendly aerial solution for all access needs. It gives a work platform for use by a maximum of two people, with weight evenly distributed across the platform. The tower can be easily erected and with highly customizable assembly it meets almost all the site constraints and provides safe and efficient working platform. The key safety feature is the smart locking claws provided for the horizontal and diagonal bracings. It allows an instant lock-up performed by single hand use, however, with the reverse unlocking plug, two hands are needed to unplug the bracing.

The information and instructions included in this manual are provided to help get the best possible service from your **MACL** Series Mobile Tower. This user guide provides you with step by step instructions to ensure your system is assembled easily and safely, using the 3T (Through the Trapdoor) method.

Through The Trapdoor (3T) Method:

The **3T** method of construction is an approved method of assembly and it minimizes the risk of a fall from height. The erector can complete an 'assembly or access' platform level from which the 'next lift' of frames, braces and platform is added, until the final working height of the tower is achieved. By following the **3T** method, the erector sits through the hatch of the platform with their feet resting on the frame rungs. In this position the erector can attach the guardrail braces. Once guard-rails are secured in position the erector can climb onto the platform and continue constructing the next level.

Compliances:

The Affix **MACL** Mobile Tower structure and its components have been designed in accordance with BS1139-6: 2014.

Maximum Safe Working Loads

The safe working load of the tower is **750 kgs** including its own weight. The maximum safe working load of any individual platform is **250 kgs** evenly distributed. If the tower is to be used for any specific loading contact your supplier or the manufacturer, Affix Scaffolding WLL.

Tel: +974 5529 9893 or Email: info@affixscaffolding.com.

RECOMMENDATIONS :










- Recommend a minimum of two people to assemble, dismantle and move the platform tower.
- Check that all components are on site and in good working order.
- Ensure that the assembly location is checked to prevent hazards during assembly or moving and while working on the tower. Particular attention should be given to the ground condition, whether level or sloping, obstructions and wind conditions. The ground condition must be capable of supporting the tower structure.
- Towers must always be climbed from the inside of the assembly using the ladder.
- Lifting of components must be done inside the effective base area of the tower.
- Moving the tower must only be done by manual effect from the base of the tower.
- When moving tower be aware of overhead hazards (e.g. electric cables).
- No personnel or material to be on the platform whilst the tower is being moved.
- Beware of horizontal loads which can lead to instability of the tower. The Max. side force is 20kg.
- Outdoor scaffold towers should, wherever possible, be secured to a building or fixed structure. It is good practice to tie scaffold towers of any height, especially when unattended, or exposed to windy conditions.
- Do Not use boxes or steps to gain additional height.
- Do Not lift or suspend an assembled mobile tower.
- Damaged components or components from other tower systems must never be used.
- Stabilizers should always be fitted when specified. Use the stabilizer shown on the component list according to the tower height.

Air speed and resultant action to be taken

Beaufort Scale	Description	Air Speed	Action to be taken
0	Calm, smoke rises easily upwards	1 mph	No action needed
3	Moderate breeze, raises dust	12 mph	No action needed, keep a watch
4	Raises loose papers, leaves and small twigs move	17 mph	Cease work
5	Strong breeze, tree branches bend, unable to use umbrella	25 mph	If expected, tie tower to a rigid structure
6	Gale force, cannot even walk	40 mph	If expected, dismantle the tower

Safety Checklist :

Mobile towers - 3T Method Checklist

- Inspect components prior to use 
- Ensure all brace claws operate and lock correctly prior to erection 
- Tower upright and level 
- Castors locked and legs correctly adjusted 
- Diagonal braces fitted 
- Stabilizers/outriggers fitted as specified 
- Platforms located and wind-locks on 
- Toe boards located 
- Check that the guardrails are fitted correctly 

SAFE WORKING LOADS AND HEIGHTS



- Safe working load on the working platform is **250kgs** evenly distributed.
- The load on the tower should not exceed **750 kgs**.
- The recommended tower height is between **3M** to **8M**.

ASSEMBLY PROCESS :

PREPARATION

Locate the tower, ensuring ground is level.

Sort the braces into horizontal and diagonal braces, the diagonals are slightly longer. Also note that the braces are differently color coded.

Check the locking triggers in the bracing hooks such that they are working properly.

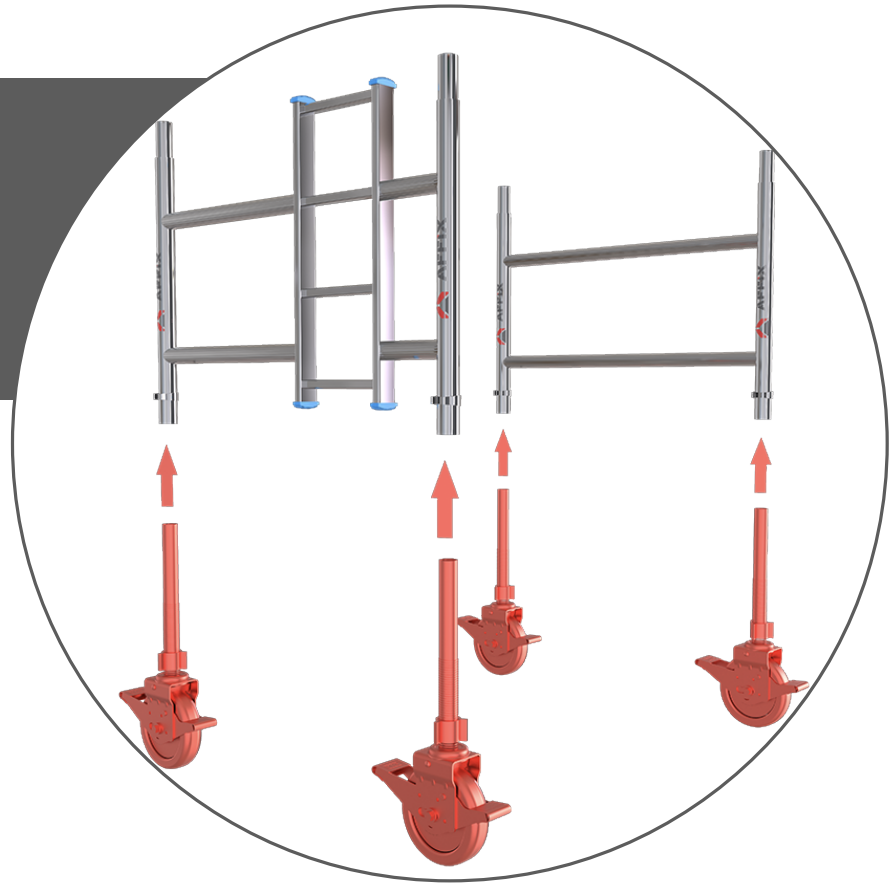
Lock the castor by moving the brake lever fully down.

FIRST LEVEL

Step 1

Insert the castor wheels with the jack pipe inside the bottom of the tubes of the 1st level 2 rungs **Ladder Frame and Span frame**.

DO NOT USE Hammer.



Step 2

Step 2.1

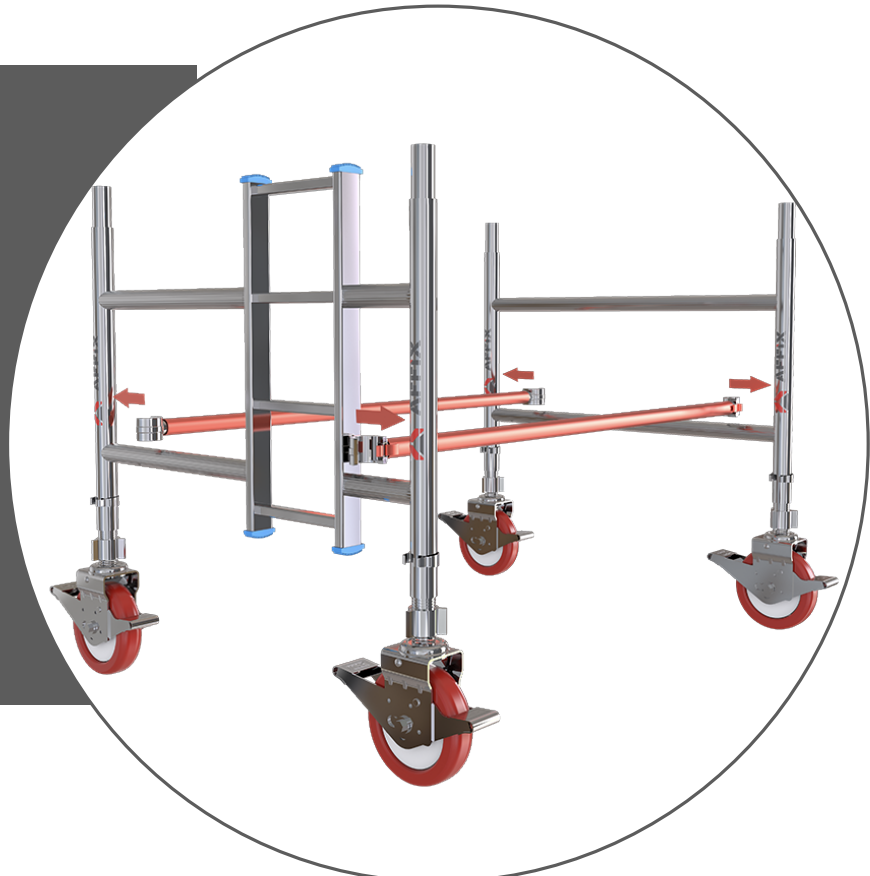
Hook both the bottom 2 Horizontal Braces horizontally to both the Span frame's vertical pipes, just above the 1st rung.

Step 2.2

Lock all the four wheels by pressing the lock gear with foot.

Step 2.3

One person should hold the frame in upright position during this step.



SECOND LEVEL

Step 3

Step 3.1

Insert both the 2nd level **4 rung Span Frame** and **4 Rung Ladder Frame** on the respective sides into the corresponding spigots.

For clamping instructions refer to the **Clamping Instructions section on Page 18**.

Step 3.2

One person should hold the frame in upright position during this step.



Step 4

Step 4.1

Hook the Diagonal Brace to the **1st Rung** of the 1st level 2 rungs **Span Frame** at one end and the other end should be hooked to the **1st Rung** of the 2nd level 4 rungs **Ladder Frame** on the other side.

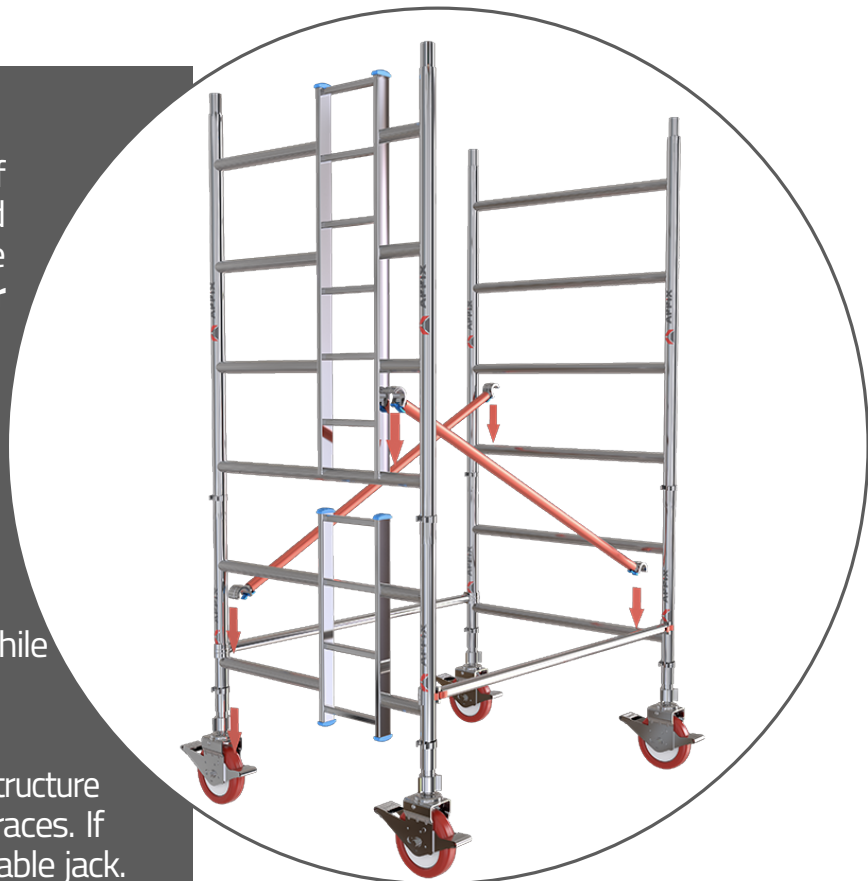
Step 4.2

Hook the **2nd** Diagonal Brace to the **1st Rung** of the 2nd level 4 rungs **Ladder Frame** at one end and the other end should be hooked to the **1st Rung** of the 1st level 2 rungs **Span Frame** on the other side.

Both the bracings should be in X shape while viewing from the side

Step 4.3

After fixing both the Diagonal Braces, level the structure using a Spirit Level on the Rungs and the braces. If adjustment required, adjust using the adjustable jack.



Step 5

Step 5.1

Hook the Diagonal Brace to the **3rd Rung** of the 2nd level 4 rungs **Span Frame** at one end and the other end should be hooked to the **1st Rung** of the 2nd level 4 rungs **Ladder Frame** on the other side.

Step 5.2

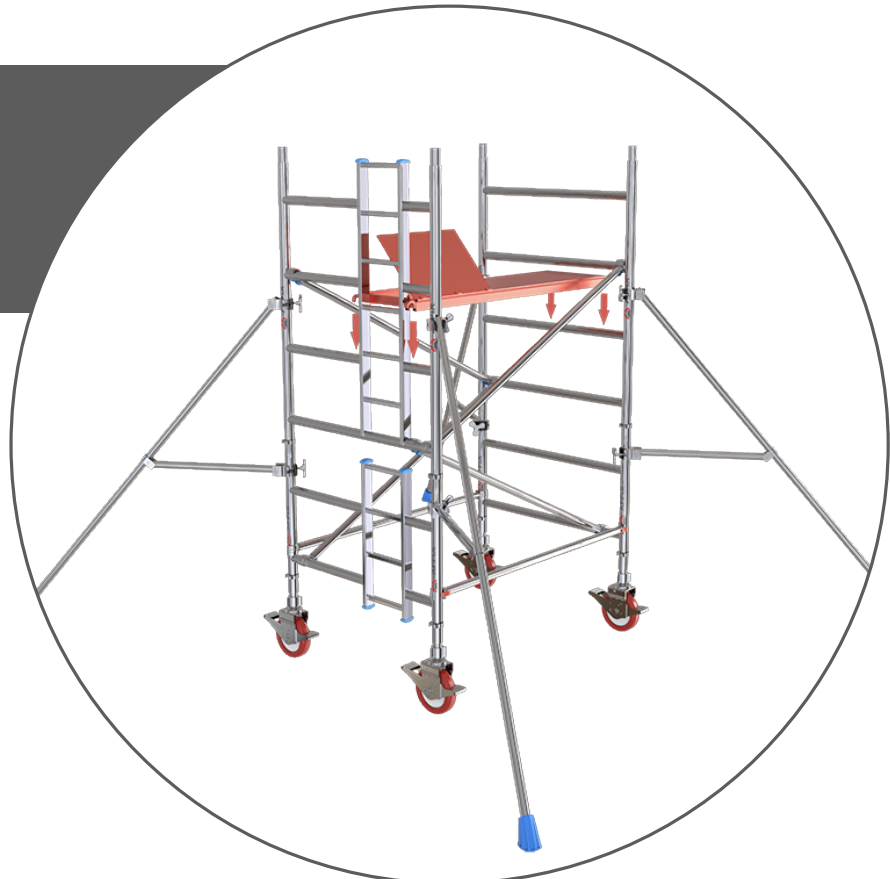
Hook the **2nd** Diagonal Brace to the **1st Rung** of the 2nd level 4 rungs **Span Frame** at one end and the other end should be hooked to the **3rd Rung** of the 2nd level 4 rungs **Ladder Frame** on the other side.

Both the bracings should be in X shape while viewing from the side



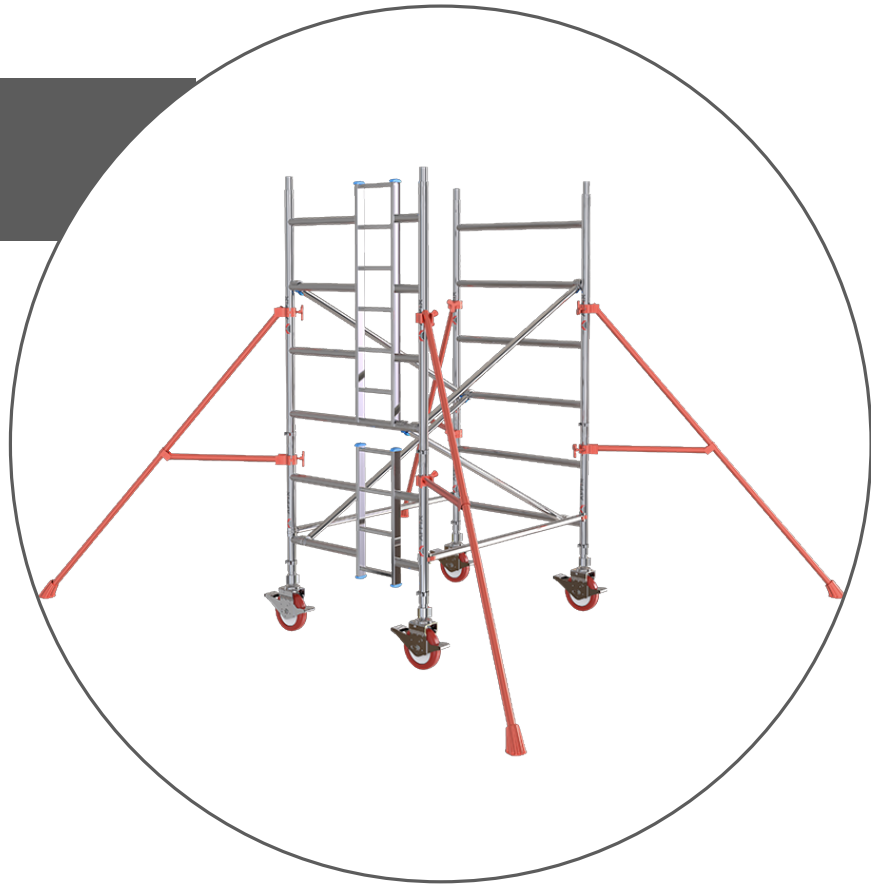
Step 6

Hook the Intermediate trapdoor platform on the **2nd Rung** of the 2nd level frames. Make sure the trapdoor is towards the ladder side.



Step 7

Clamp the **4 Stabilizers** on all 4 corners as instructed in detail on **Page no.21**.



Step 8

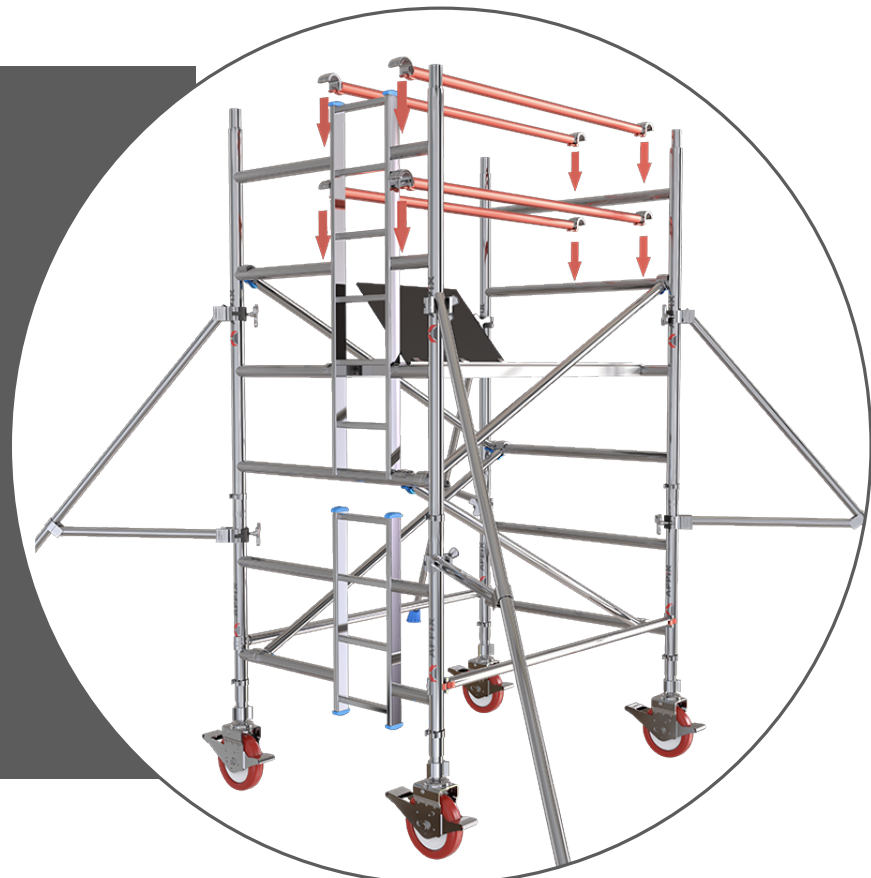
Using the 3T method, standing on the ladder and leaning back against the edge of the trapdoor aperture, fit the horizontal braces as mid rails and guardrails.

Step 8.1

Hook the lower pair of **Horizontal Braces** to the **3rd Rung** of both the 2nd level frames.

Step 8.2

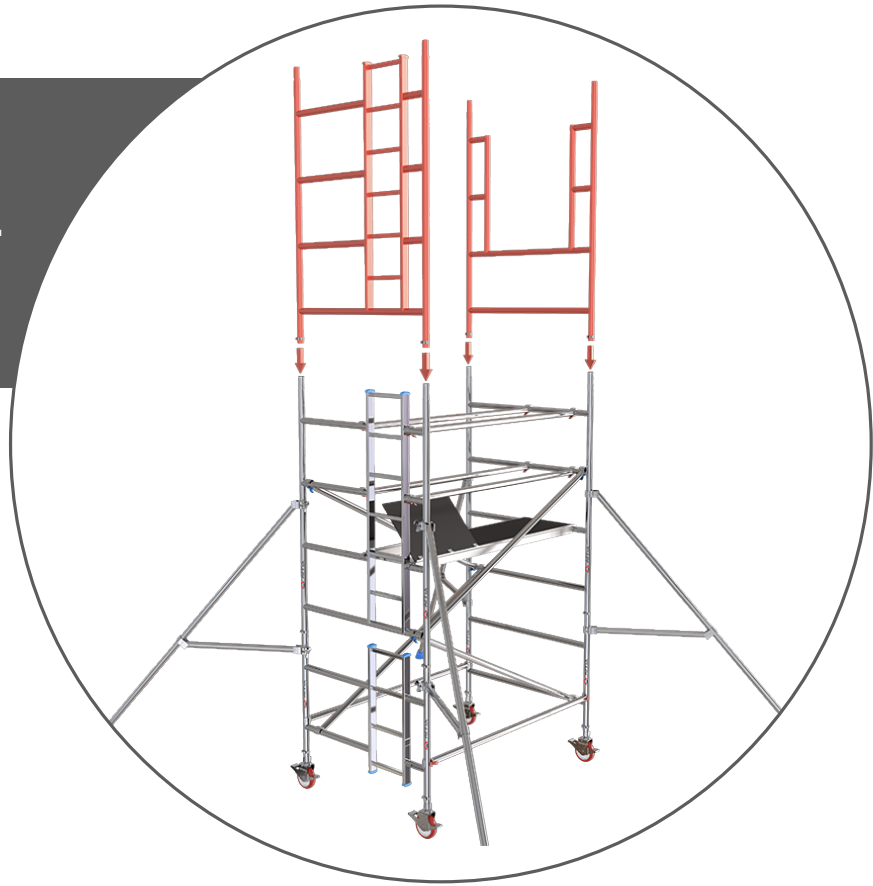
Hook the upper pair of **Horizontal Braces** to the **4th Rung** of both the 2nd level frames.



THIRD LEVEL

Step 9

Insert the 3rd level **Walk-through Frame** and **Ladder Frame** into the corresponding spigots of 2nd level **Span Frame** and **Ladder Frame**. For clamping instructions refer to the **Clamping Instructions** section on page 18.



Step 10

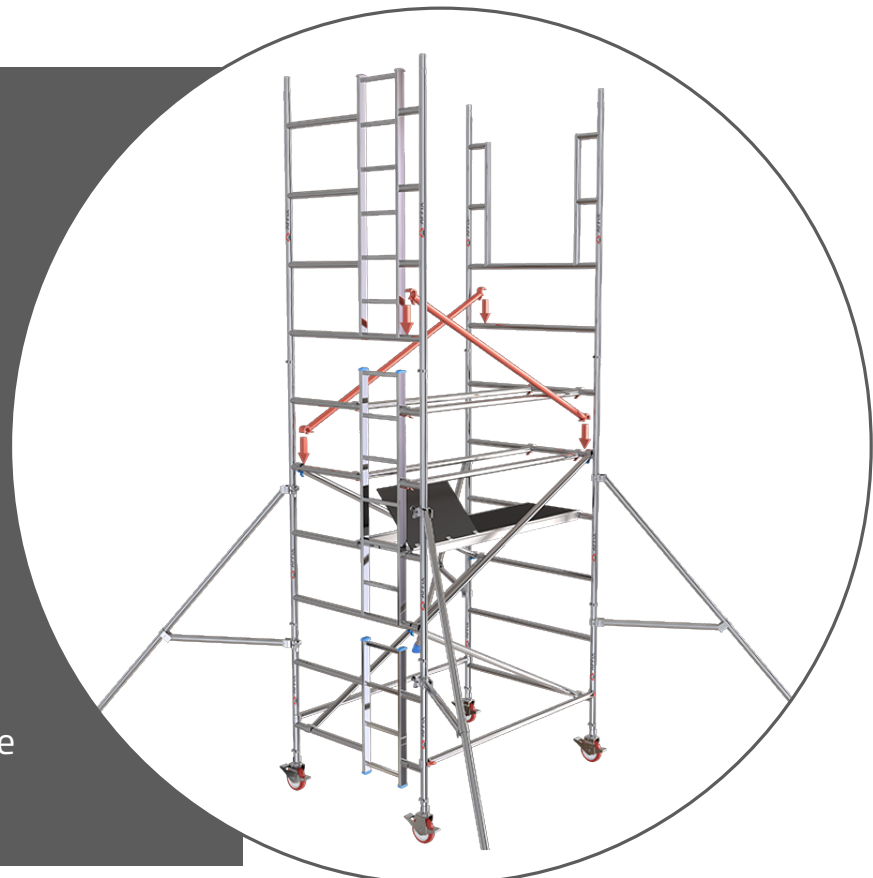
Step 10.1

Hook the Diagonal Brace to the **3rd Rung** of the 2nd level 4 rungs **Span Frame** at one end and the other end should be hooked to the **1st Rung** of the 3rd level 4 rungs **Ladder Frame** on the other side.

Step 10.2

Hook the **2nd** Diagonal Brace to the **1st Rung** of the 3rd level 4 rungs **Walk-through Frame** at one end and the other end should be hooked to the **3rd Rung** of the 2nd level 4 rungs **Ladder Frame** on the other side.

Both the bracings should be in X shape while viewing from the side.



Step 11

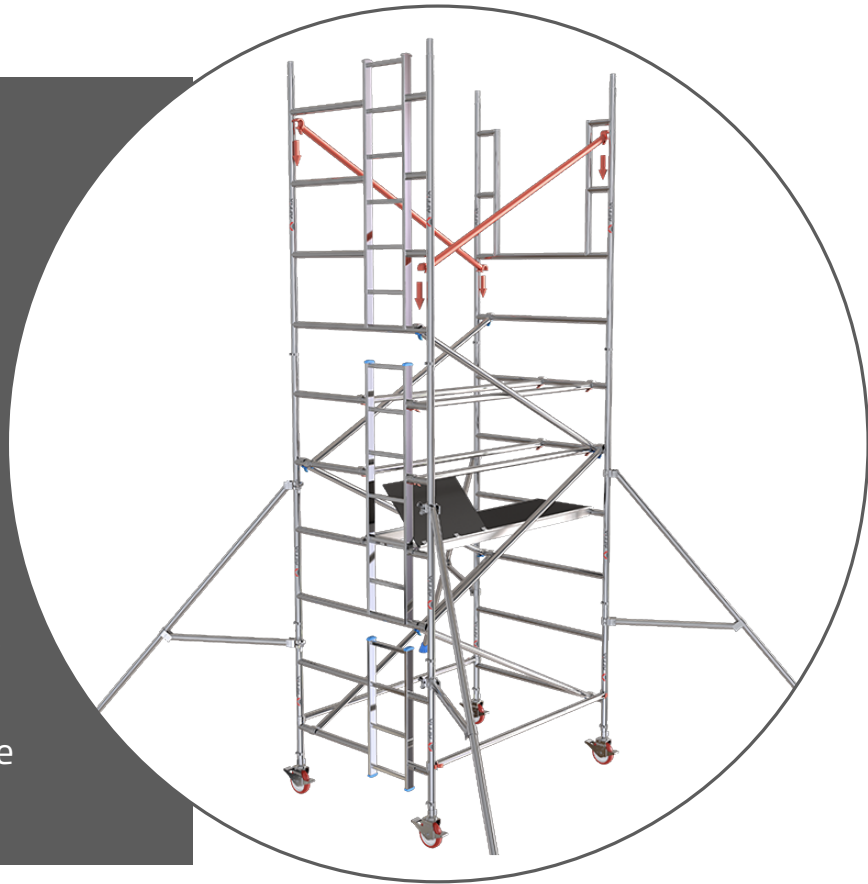
Step 11.1

Hook the Diagonal Brace to the **3rd Rung** of the 3rd level 4 rungs **Walk-through Frame** at one end and the other end should be hooked to the **1st Rung** of the 3rd level 4 rungs **Ladder Frame** on the other side.

Step 11.2

Hook the **2nd** Diagonal Brace to the **1st Rung** of the 3rd level 4 rungs **Walk-through Frame** at one end and the other end should be hooked to the **3rd Rung** of the 3rd level 4 rungs **Ladder Frame** on the other side.

Both the bracings should be in X shape while viewing from the side



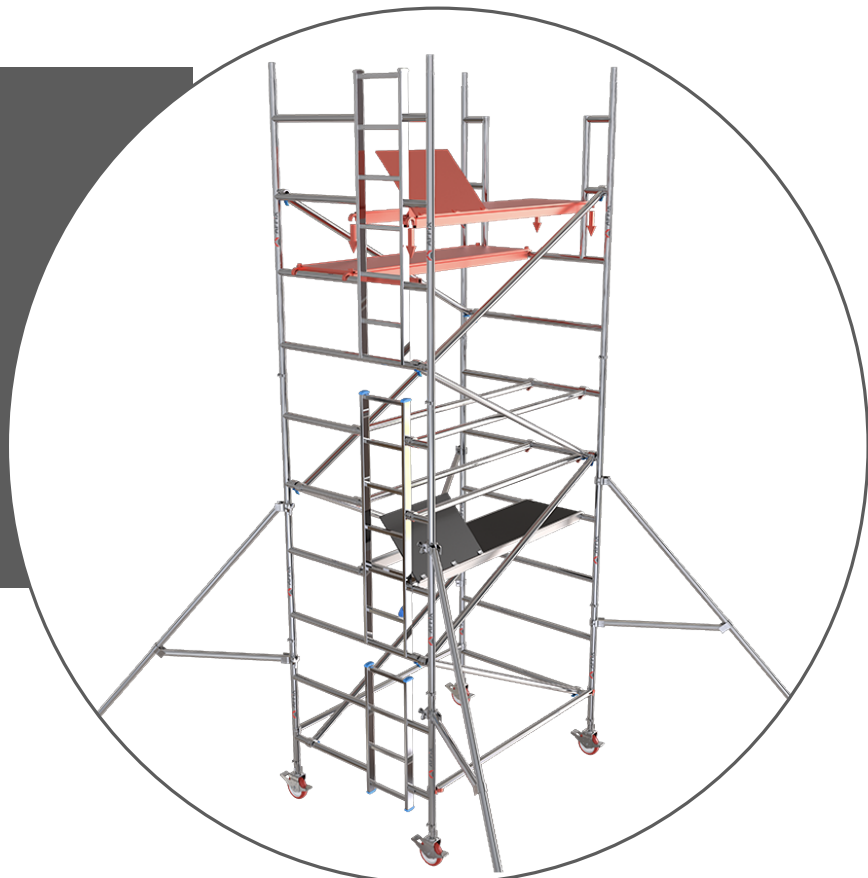
Step 12

Step 12.1

Hook the working fixed platform on the **2nd Rung** of the 3rd level Frames. Make sure the platform is not on the ladder side.

Step 12.2

Hook the working fixed platform on the **2nd Rung** of the 3rd level Frames. Make sure the trapdoor is towards the ladder side.



Step 13

Step 13.1

Hook lower pair of **Horizontal Braces** to the **3rd Rung** of both the frames of 3rd level on both the sides.

Step 13.2

Hook the upper pair of **Horizontal Braces** to the **4th Rung** of both the frames of 3rd level on both the sides.



Step 14

Step 14.1

Clamp the 4 plastic toe-board holders on all the 4 corners of the working platform level, around the working platform. For more details, refer to **Toe-board Assembly Details on Page 18**.

Step 14.2

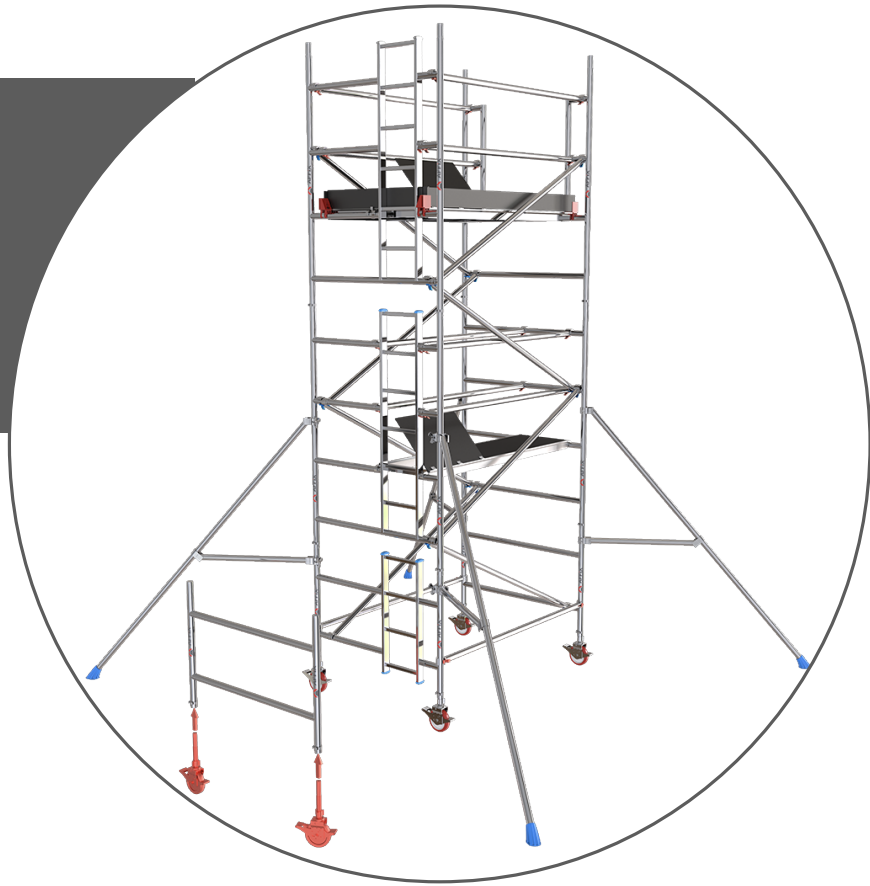
Insert the wooden toe-boards in the toe-board holder on 3 sides only, not towards the **Walk-through Frame**.



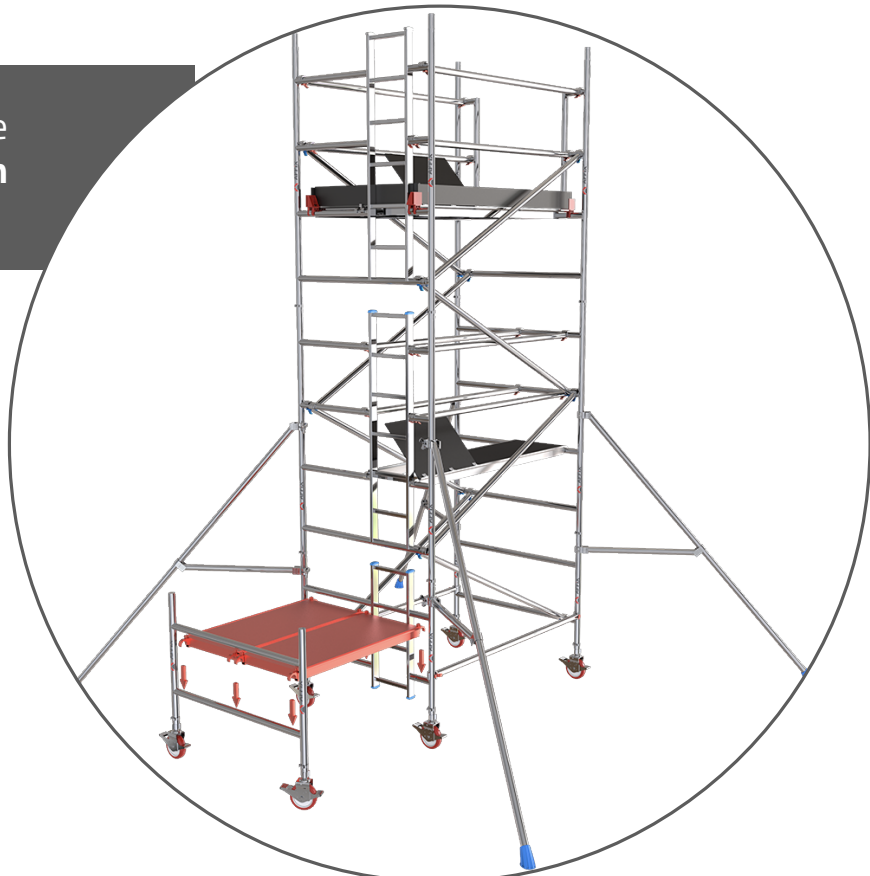
Step 15

Insert the castor wheels with the jack pipe inside the bottom of the tubes of the 2 rungs **Counterweight Span Frame** (which is actually the standard 1 Mtr Span frame).

DO NOT USE Hammer

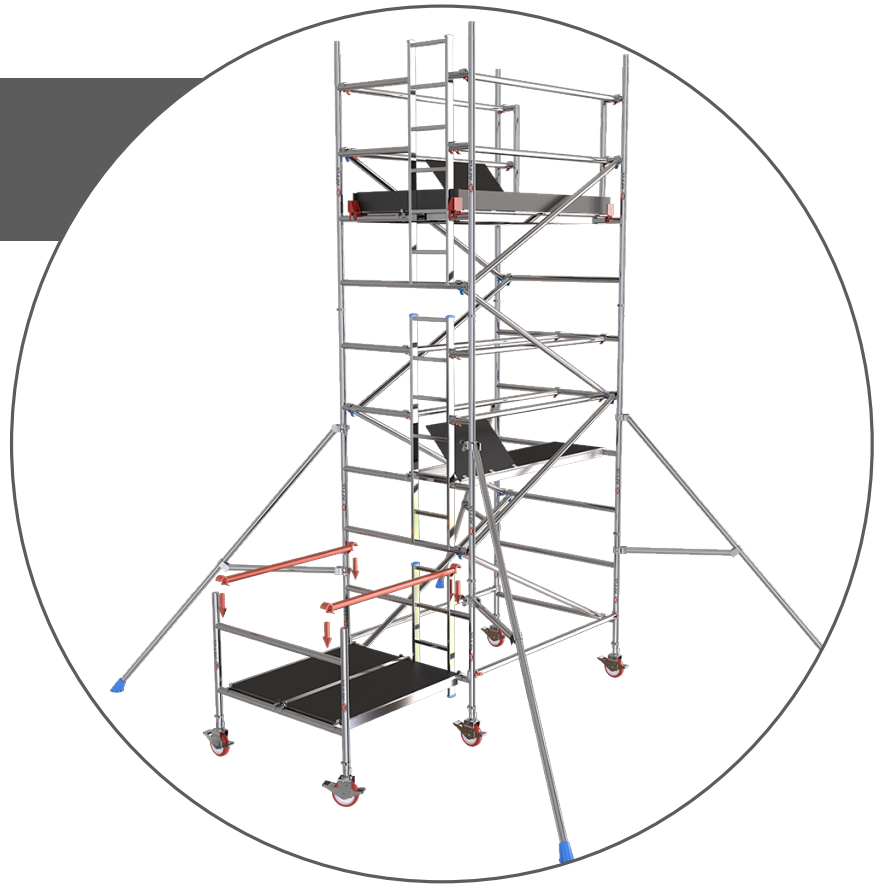
**Step 16**

Hook both the **Counterweight Platforms** side by side to the **1st Rung** of the 2 rungs **Span Frame**.

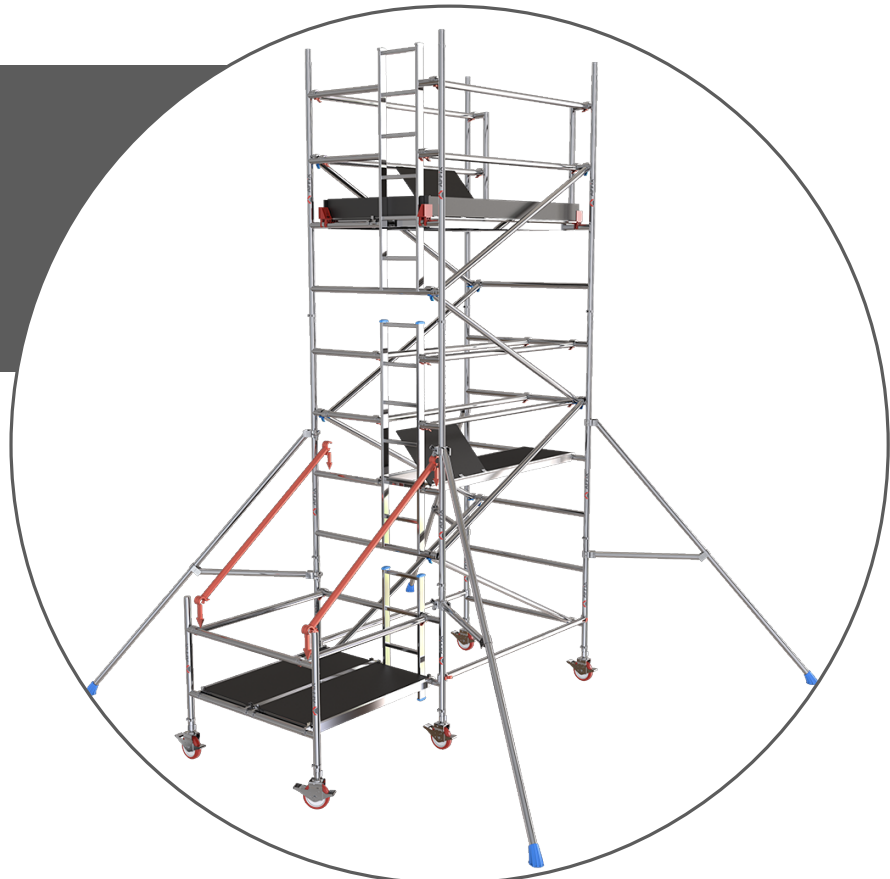


Step 17

Hook the 2 Horizontal braces to the 2nd Rung of the 2 rungs **Counterweight Frame**.

**Step 18**

Hook one end of the 2 Diagonal braces to the **2nd Rung** of the 2 rungs **Counterweight Frame** and the other end to the **2nd Rung** of the 2nd level 4 rungs **Ladder Frame** of the main tower.



Step 19

Place the **Steel Ballast/ Counterweight** as per the **Components Table on Page 23**.



Step 20

Clamp the 2 Cantilever frames flushing the top of the frames with the top (spigots) of the main tower.



Step 21

Hook both the Cantilever Platforms side by side to the **1st Rung** of the 5 rungs **Cantilever frames**.



Step 22

Hook the 2 Horizontal braces to the **4th and the 5th Rung** of the 5 rungs **Cantilever frames**.



Step 23

Step 23.1

Clamp the 4 plastic toe-board holders on all the 4 corners of the cantilever working platform level, around the cantilever working platform.

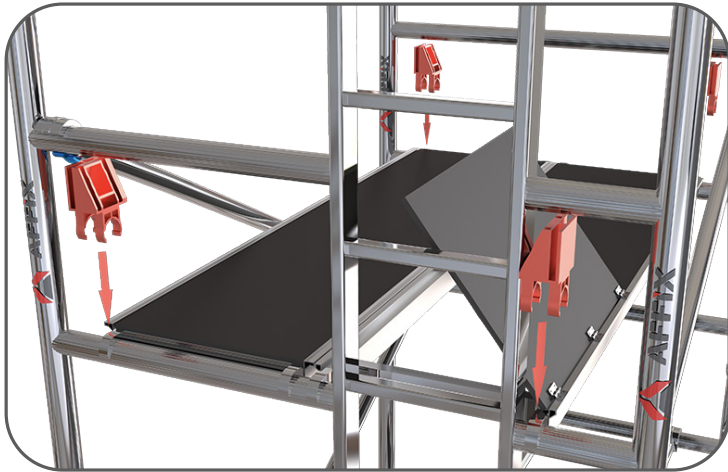
For more details, refer to **Toe-board Assembly Details on Page 18.**

Step 23.2

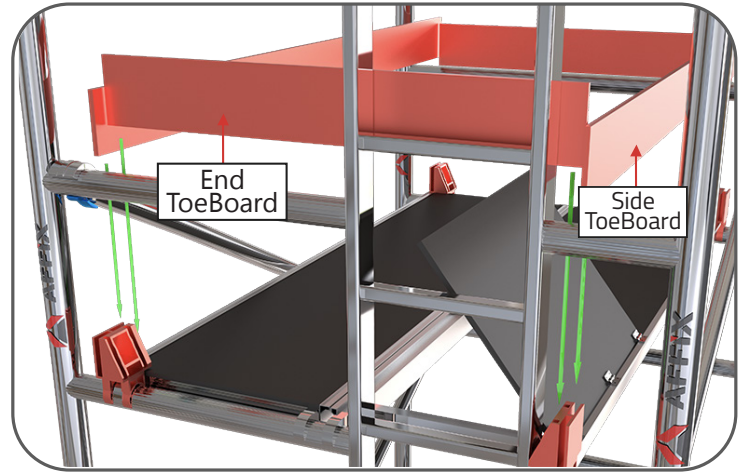
Insert the wooden toe-boards in the toe-board holder on 3 sides only, not towards the **Walk-through Frame.**



Toeboard Assembly Details



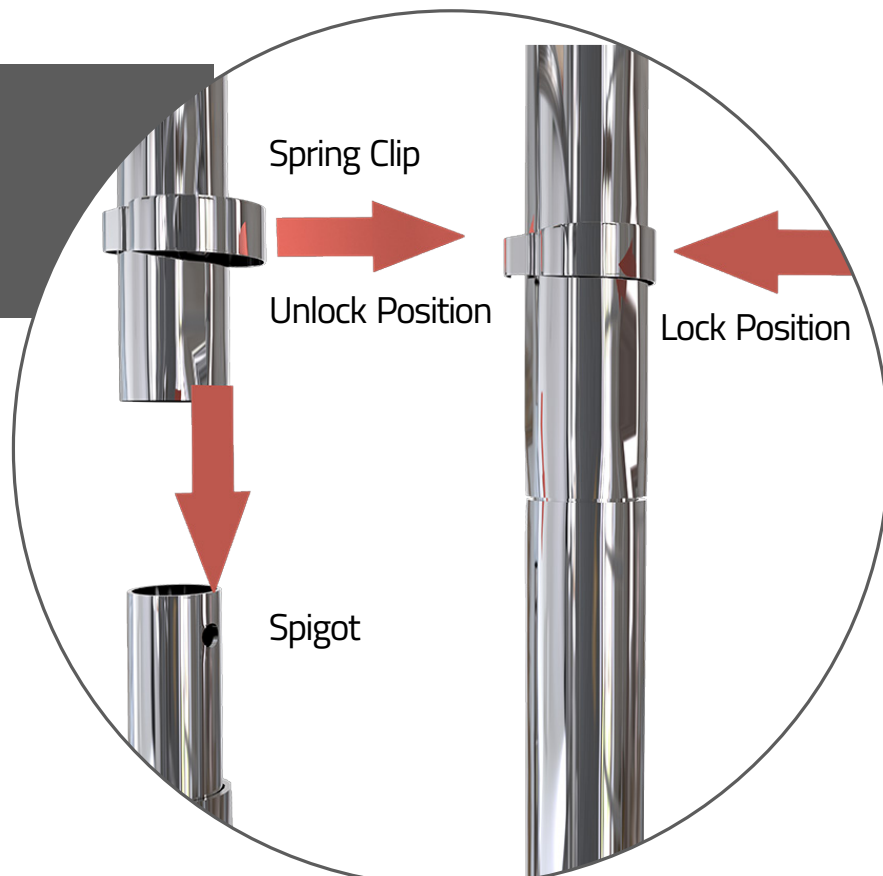
Fix the claw of the Toeboard **TB** on the **Rungs** facing each other as shown in the figure.



Then insert the **Side Toeboard** and the **End Toeboard** in the respective toeboard slots as shown in the figure.

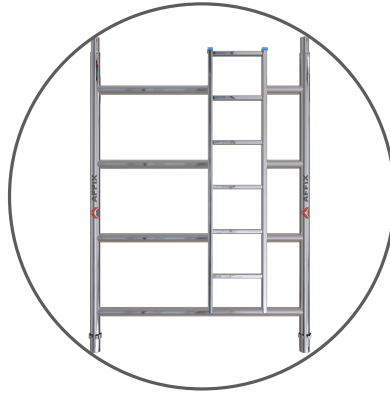
Clamping Instructions

Always ensure the **Spring Clips** are in the lock position after inserting the upper frame in the **Spigot**. To insert, unlock the **Spring Clip**.

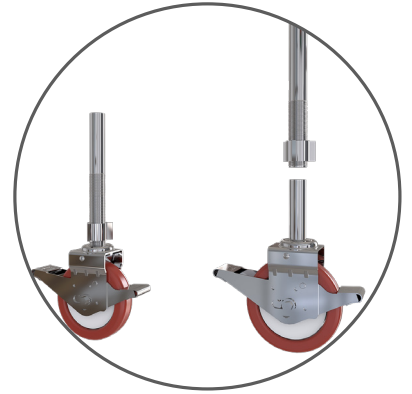




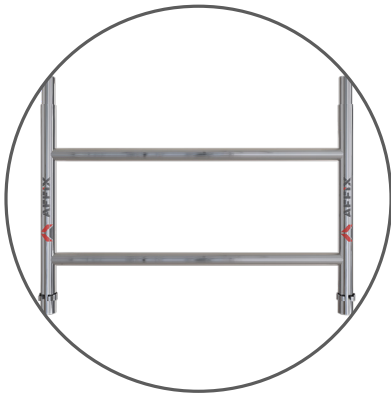
FS20135
Span Frame



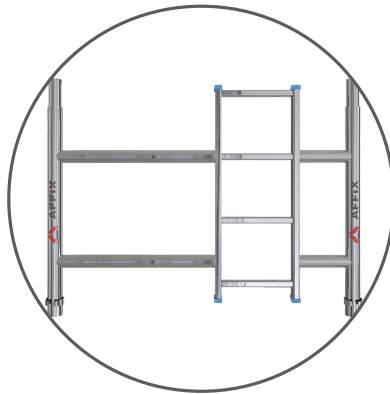
FL20135
Ladder Frame



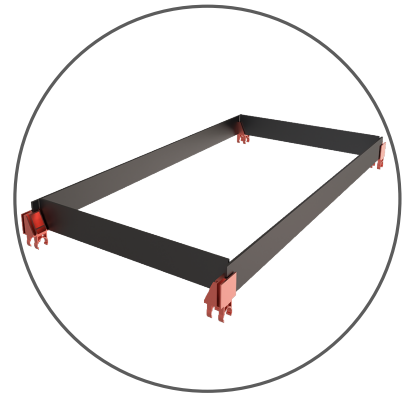
CW150/200, JA500
Castor Wheel, Adjustable Jack



FS10135
Span Frame



FL10135
Ladder Frame



BT200/250
ToeBoard Set



ST200/300/450/600
Stabilizer



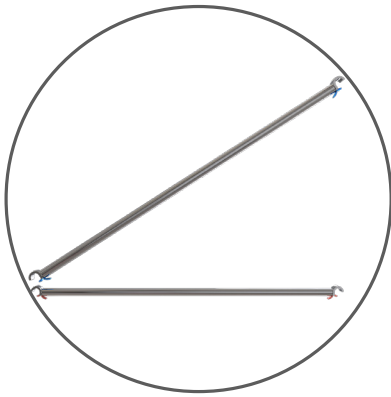
PF200/250
Fixed Platform



PT200/250
Trapdoor Platform



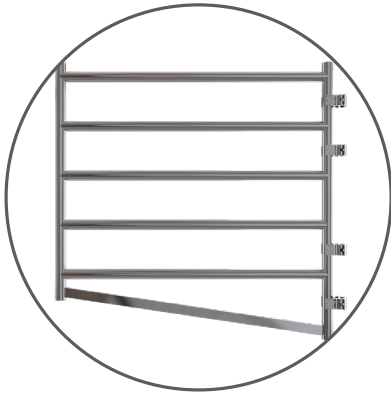
BD200/250, BH200/250
Diagonal Brace, Horizontal Brace



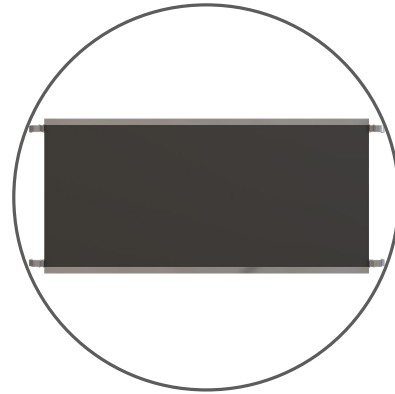
AFC BD BH



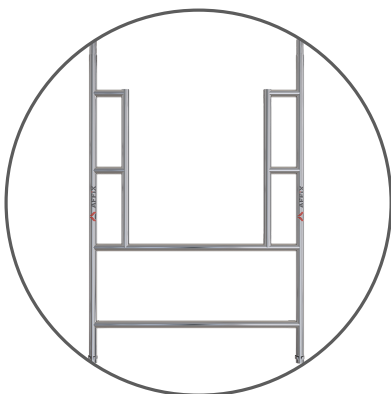
AFC BW



AFC FC130



AFC PF



CFW20135

Stabilizers are to be used, when specified, to guarantee the structural stability of the tower.



Fig. 01

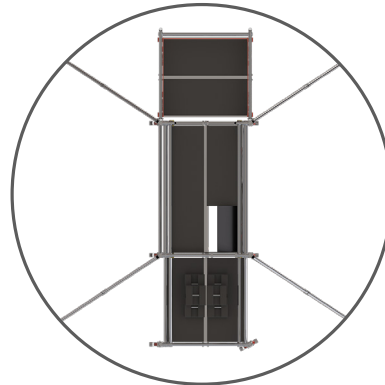


Fig. 02

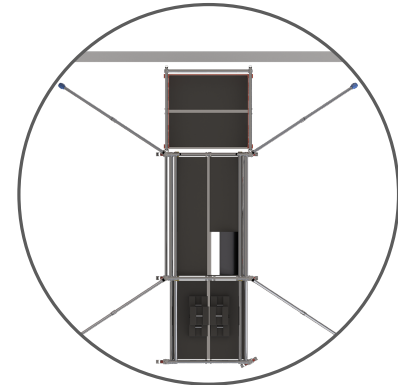


Fig. 03

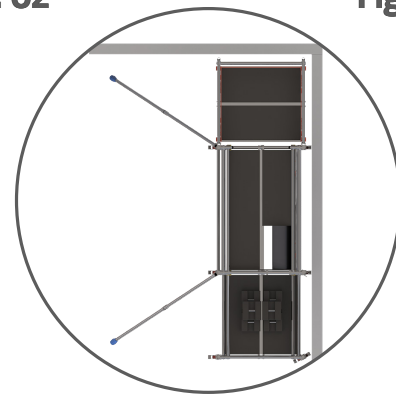


Fig. 04

Fig. 01

Lightly tighten the upper clamp of the stabilizer on each corner vertical posts at a height where the foot is touching the ground. Position the clamp of the lower arm such that the lower arm is as horizontal as possible.

Fig. 02

Position the stabilizers so that the footpads are approximately equidistant from each other.

Adjust the stabilizers and reposition the clamps as required to make firm contact with the ground. When in correct position, tighten all the clamps firmly.

Fig. 03

To position a tower against a wall, do not remove the stabilizer, move parallel to the wall.

Fig. 04

To position a tower in the corner of walls, remove the corner stabilizer and place the two towards the wall, parallel to the wall. The middle one should be placed as shown in the graphic Fig.04

Moving the Tower

To move the tower to a new position, first prepare the tower.

- Check that the wind speed does not exceed **17 mph**.
- Ensure the tower is empty (material and personnel).
- Check the overhead obstructions including electrical cables.
- Raise the stabilizer feet (only enough to clear obstructions, maximum 25mm).
- Taking care to ensure tower stability is maintained, release the castor brakes.
- Carefully move the tower by manually applying force at the base. Do Not Use mechanical means to move the tower.
- Once positioned, prepare the tower for use.
- Check and adjust as necessary to ensure all castors and stabilizers are in firm contact with the ground.
- Check that the tower is vertical.
- Reapply the castor brakes.

Comply To

- Certified and independently tested for use.
- Compliant to 3T Assembly process.
- Safe working load on the platform is 250kgs/Sq Mtr, evenly distributed.
- Maximum permissible distributed load on the tower 750 Kgs.

Type Approval

The scaffold towers referred to herein have been tested by



MACL SERIES TABLE Confirming to BS1139-6:2014

CANTILEVER TOWER

	MACL	320	420	520	620	720	820	
Tower Height	in Mtrs	3.3	4.3	5.3	6.3	7.3	8.3	
Working Height	in Mtrs	4.3	5.3	6.3	7.3	8.3	9.3	
Platform Height	in Mtrs	2.3	3.3	4.3	5.3	6.3	7.3	
Weight	in Kgs	169/177	198/219	216/237	246/271	266/291	296/325	
Counterweight	in Kgs	190/230	200/240	210/250	220/260	230/270	240/280	
Components	Code	Specs						
Ladder Frame	FL20135	2.0 Mtrs	0	2	2	3	3	4
Span Frame	FS20135	2.0 Mtrs	1	1	1	2	2	3
Walkthrough Frame	CFW20135	2.0 Mtrs	1	1	1	1	1	1
Ladder Frame Mini	FL10135	1.0 Mtr	1	0	1	0	1	0
Span Frame Mini	FS10135	1.0 Mtr	1	0	1	0	1	0
Cantilever Frame	FC10140	1.4 Mtrs	2	2	2	2	2	2
Cantilever Horizontal Braces	CBH140	1.4 Mtrs	2	2	2	2	2	2
Cantilever Platform	CPF140	1.4 Mtrs	2	2	2	2	2	2
Counterweight Frame	FC10135	1.4 Mtrs	1	2	2	2	2	2
Counterweight Platform	CPF140	1.4 Mtrs	2	2	2	2	2	2
Counterweight Horizontal	CBH140	1.4 Mtrs	2	2	2	2	2	2
Counterweight Diagonal	BD200/250	2.2/2.7 Mtrs	2	2	2	2	2	2
Caster Wheel	CW200	8 Inches	4	4	4	4	4	4
Adjustable Jack	JA500	0.5 Mtrs	4	4	4	4	4	4
Horizontal Braces	BH200/250	2.0/2.5 Mtrs	6	10	10	14	14	18
Diagonal Braces	BD200/250	2.2/2.7 Mtrs	4	6	8	10	12	14
Stabilizer	ST200	2.0 Mtrs	4	4	0	0	0	0
Stabilizer	ST300	3.0 Mtrs	0	0	4	4	0	0
Stabilizer	ST450	4.5 Mtrs	0	0	0	0	4	4
Stabilizer	ST600	6.0 Mtrs	0	0	0	0	0	0
Platform Trapdoor	PT200/250	2.0 Mtrs	1	2	2	3	3	4
Platform Fixed	PF200/250	2.0 Mtrs	1	1	1	1	1	1
Toe Board	BT200/250	Set	1	1	1	1	1	1

BS1139-6:2014 Certification by TUV India



Statement of Confirmation

No.: CE/21-22/046

Client's Reference – EN-AS-BS-2122-000

Name & Address of the Manufacturer:

AFFIX SCAFFOLDING.

Hugo Building, Office No.13
Opp Old Fatihima Shopping Centre
Umm Dom Stree, Muaither, Doha , Qatar

Product Type:

- Cantilever Tower
- Bridgeway Tower
- Stair Tower

Review Results/Observations:

The Technical File referenced above submitted by the manufacturer has been reviewed for its document contents – the above product/s, generally comply with the Safety requirements of the British Standards:

BS-1139-6:2014

Validity: 15 November 2024 (Subject to annual factory production control audits)



Mahesh Gaur
General Manager - Product Certification and Product Testing Laboratory

(This Statement of Confirmation is valid under the conditions stated overleaf)

Registered & Head Office: 801, Raheja Plaza I, LBS Marg, Ghatkopar (W), Mumbai 400 086 | Email: infoindia@tuv-nord.com Tel: +91-22-66477000
Website: www.tuv-nord.com/in Toll Free Number: 1800-209-0902

Job no: 8119218584



PO Box No. 201633 Doha, Qatar

Tel +974 4416 1483 Mobile +974 5529 9893

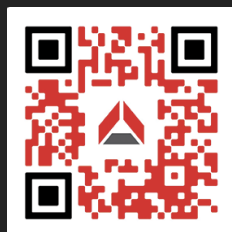
Mobile +974 3030 0685

EMail : info@affixscaffolding.com

Website: www.affixscaffolding.com

Website

SCAN ME



 <https://twitter.com/affixscaffoldin>

 <https://www.facebook.com/affixscaffoldin>

 <https://www.linkedin.com/company/affix-scaffolding-llc/>