

EN1004-1 Class 3

No: CE/21-22/004



Assembly Manual

Single Width MASW Series

Aluminium Single Width Mobile Towers

MASW

EN1004-1 3 8/12 XXXD

The **AFFIX Tower** is a mobile access tower manufactured in our **ISO 9001** accredited facility.

This user guide provides you with step by step instructions to ensure your system is assembled easily and safely, using the **3T (Through the Trapdoor) method**.



**WARNING**

NEVER FORGET TO LOCK THE
CASTOR WHEELS

DESCRIPTION:

The Affix **MASW** Series Mobile Tower are versatile and user-friendly aerial solution for all access needs. It gives a work platform for use by a maximum of two people, with weight evenly distributed across the platform. The tower can be easily erected and with highly customizable assembly it meets almost all the site constraints and provides safe and efficient working platform. The key safety feature is the smart locking claws provided for the horizontal and diagonal bracings. It allows an instant lock-up performed by single hand use, however, with the reverse unlocking plug, two hands are needed to unplug the bracing.

The information and instructions included in this manual are provided to help get the best possible service from your **MASW** Series Mobile Tower. This user guide provides you with step by step instructions to ensure your system is assembled easily and safely, using the 3T (Through the Trapdoor) method.

Through The Trapdoor (3T) Method:

The **3T** method of construction is an approved method of assembly and it minimizes the risk of a fall from height. The erector can complete an 'assembly or access' platform level from which the 'next lift' of frames, braces and platform is added, until the final working height of the tower is achieved. By following the **3T** method, the erector sits through the hatch of the platform with their feet resting on the frame rungs. In this position the erector can attach the guardrail braces. Once guard-rails are secured in position the erector can climb onto the platform and continue constructing the next level.

Compliances:

The Affix **MASW** Mobile Tower has been tested and certified to **EN1004-1 : 2020** by **TUV, India**.

Maximum Safe Working Loads

The safe working load of the tower is **600 kgs** including its own weight. The maximum safe working load of any individual platform is **250 kgs** evenly distributed. If the tower is to be used in an application outside the scope of **EN1004**, contact your supplier or the manufacturer, Affix Scaffolding WLL, for advice on loadings.

Tel: +974 5529 9893 or Email: info@affixscaffolding.com.

RECOMMENDATIONS :










- Recommend a minimum of two people to assemble, dismantle and move the platform tower.
- Check that all components are on site and in good working order.
- Ensure that the assembly location is checked to prevent hazards during assembly or moving and while working on the tower. Particular attention should be given to the ground condition, whether level or sloping, obstructions and wind conditions. The ground condition must be capable of supporting the tower structure.
- Towers must always be climbed from the inside of the assembly using the ladder.
- Lifting of components must be done inside the effective base area of the tower.
- Moving the tower must only be done by manual effect from the base of the tower.
- When moving tower be aware of overhead hazards (e.g. electric cables).
- No personnel or material to be on the platform whilst the tower is being moved.
- Beware of horizontal loads which can lead to instability of the tower. The Max. side force is 20kg.
- Outdoor scaffold towers should, wherever possible, be secured to a building or fixed structure. It is good practice to tie scaffold towers of any height, especially when unattended, or exposed to windy conditions.
- Do Not use boxes or steps to gain additional height.
- Do Not lift or suspend an assembled mobile tower.
- Damaged components or components from other tower systems must never be used.
- Stabilizers should always be fitted when specified. Use the stabilizer shown on the component list according to the tower height.

Air speed and resultant action to be taken

Beaufort Scale	Description	Air Speed	Action to be taken
0	Calm, smoke rises easily upwards	1 mph	No action needed
3	Moderate breeze, raises dust	12 mph	No action needed, keep a watch
4	Raises loose papers, leaves and small twigs move	17 mph	Cease work
5	Strong breeze, tree branches bend, unable to use umbrella	25 mph	If expected, tie tower to a rigid structure
6	Gale force, cannot even walk	40 mph	If expected, dismantle the tower

Safety Checklist :

Mobile towers - 3T Method Checklist

- Inspect components prior to use 
- Ensure all brace claws operate and lock correctly prior to erection 
- Tower upright and level 
- Castors locked and legs correctly adjusted 
- Diagonal braces fitted 
- Stabilizers/outriggers fitted as specified 
- Platforms located and wind-locks on 
- Toe boards located 
- Check that the guardrails are fitted correctly 

SAFE WORKING LOADS AND HEIGHTS



- Safe working load on the working platform is **250kgs** evenly distributed.
- The load on the tower should not exceed **600kgs**.
- The maximum recommended tower height is **8M** for outdoors and **12M** for indoors.

ASSEMBLY PROCESS :

PREPARATION

Locate the tower, ensuring ground is level.

Sort the braces into horizontal and diagonal braces, the diagonals are slightly longer. Also note that the braces are differently color coded.

Check the locking triggers in the bracing hooks such that they are working properly.

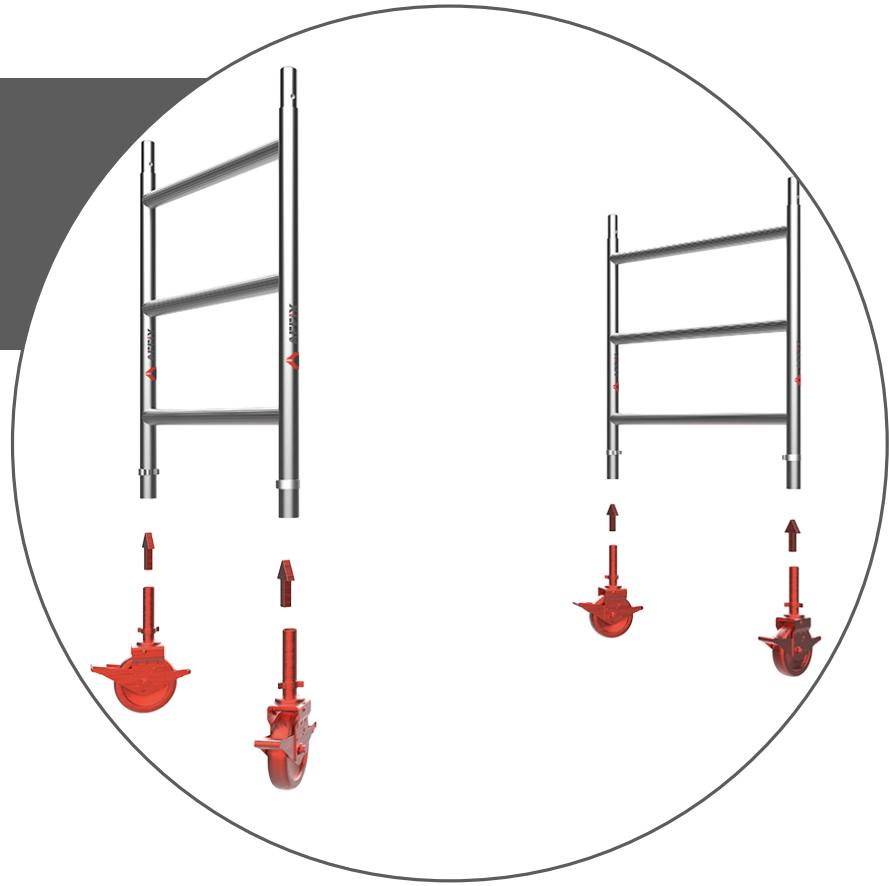
Lock the castor by moving the brake lever fully down.

FIRST LEVEL

Step 1

Insert the **castor wheel** with the jack pipe inside the bottom of the tubes of the **3 Rungs Span Frame**.

DO NOT USE Hammer.



Step 2

Step 2.1

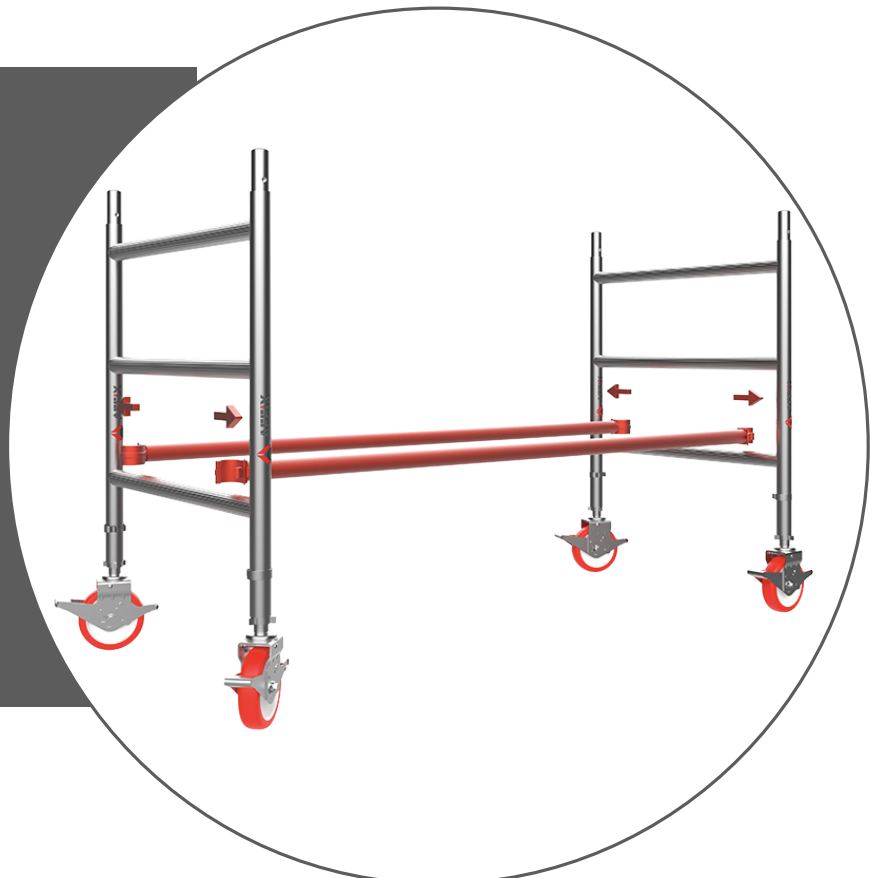
Hook both the bottom 2 Horizontal Braces horizontally to both the Span frame's vertical pipes, just above the 1st rung.

Step 2.2

Lock all the four wheels by pressing the lock gear with foot.

Step 2.3

One person should hold the frame in upright position during this step.



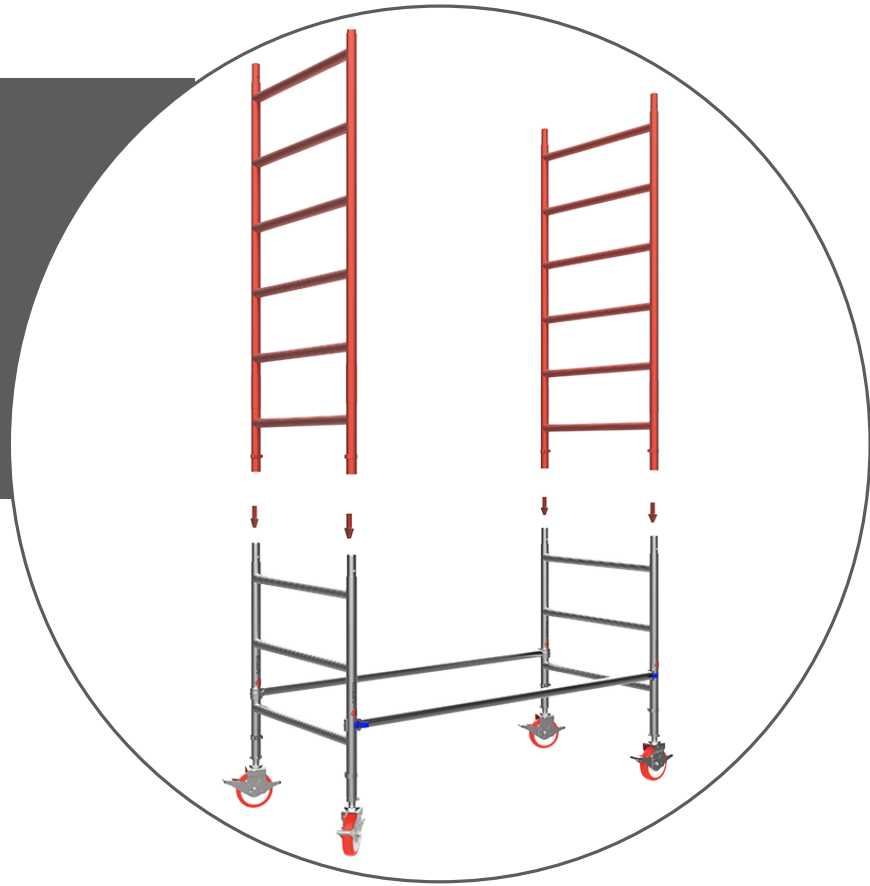
SECOND LEVEL

Step 3

Insert both the **2nd level 6 Rungs Span Frames** into the spigots of **1st level 3 Rungs Span Frames**.

For clamping instructions refer to the **Clamping Instructions section on Page 13**.

One person should hold the frame in upright position during this step.



Step 4

Step 4.1

Hook the Diagonal Brace to the **1st Rung** of the 2nd level 6 rungs **Span Frame** and the other end should be hooked to the 1st rung of the 1st level 3 rungs **Span Frame**.

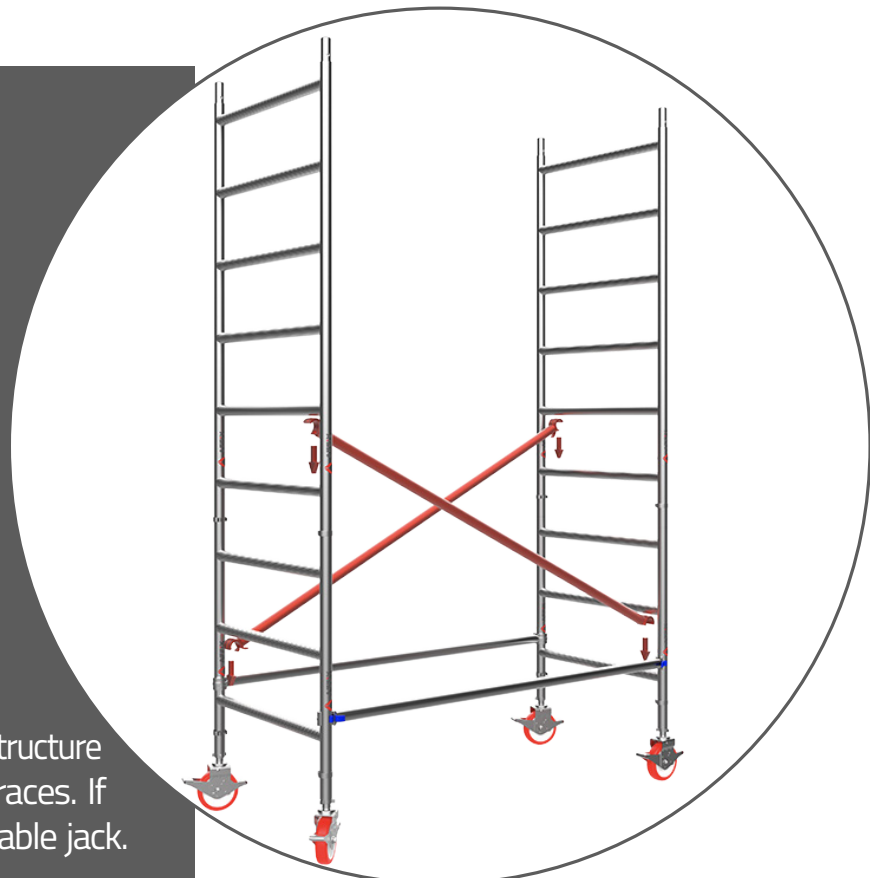
Step 4.2

Hook the **2nd Diagonal Brace** to the **1st rung** of the 1st level 3 rungs **Span Frame** and the other end should be hooked to the **1st rung** of the 2nd level 6 rungs **Span Frame**.

Both the bracings should be in **X shape** while viewing from the side.

Step 4.3

After fixing both the Diagonal Braces, level the structure using a Spirit Level on the Rungs and the braces. If adjustment required, adjust using the adjustable jack.



Step 5

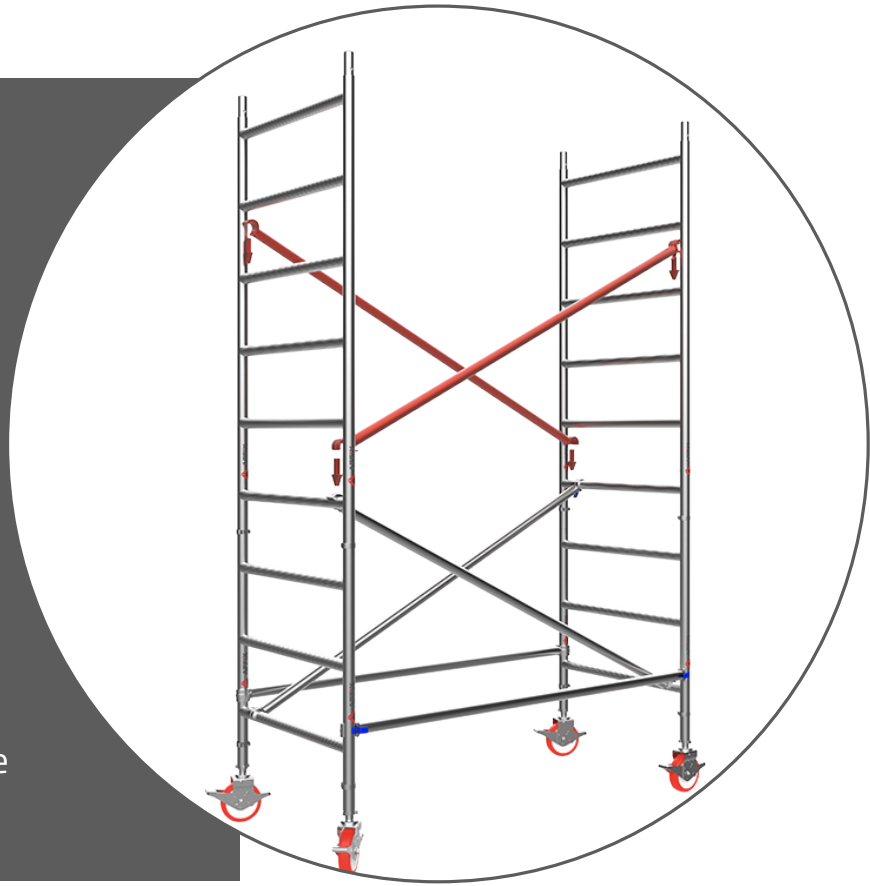
Step 5.1

Hook the Diagonal Brace to the **4th Rung** of the 2nd level 6 rungs **Span Frame** at one end and the other end should be hooked to the **1st Rung** of the 2nd level 6 rungs **Span Frame** on the other side.

Step 5.2

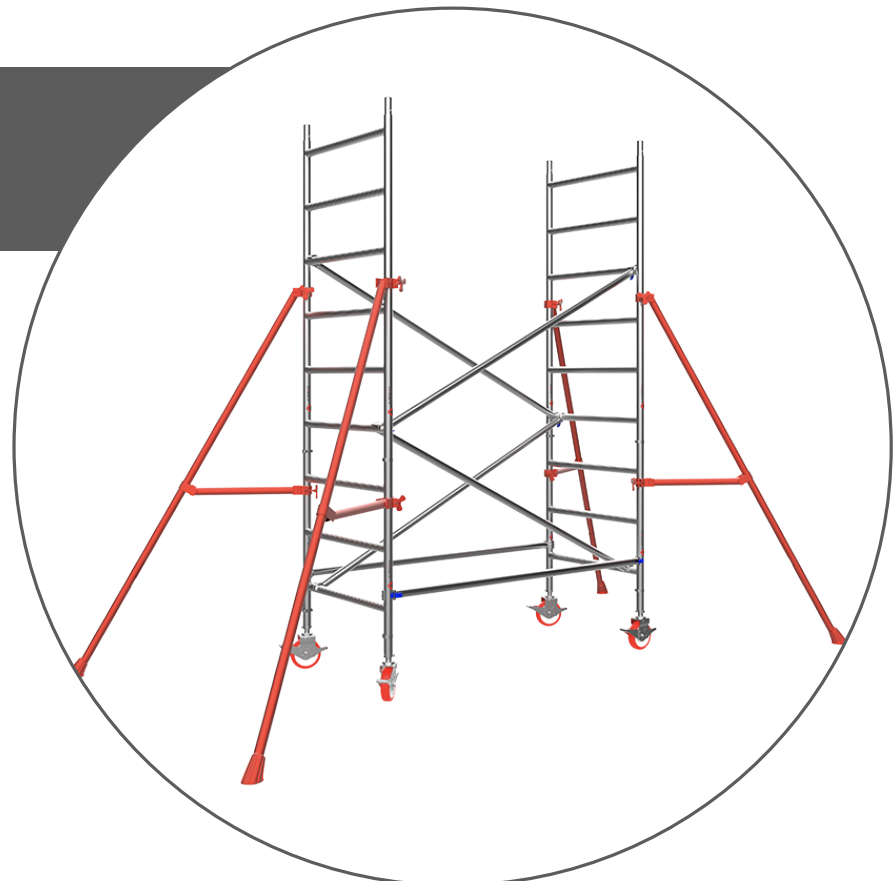
Hook the **2nd** Diagonal Brace to the **1st Rung** of the 2nd level 6 rungs **Span Frame** at one end and the other end should be hooked to the **4th Rung** of the 2nd level 6 rungs **Span Frame** on the other side.

Both the bracings should be in **X shape** while viewing from the side.



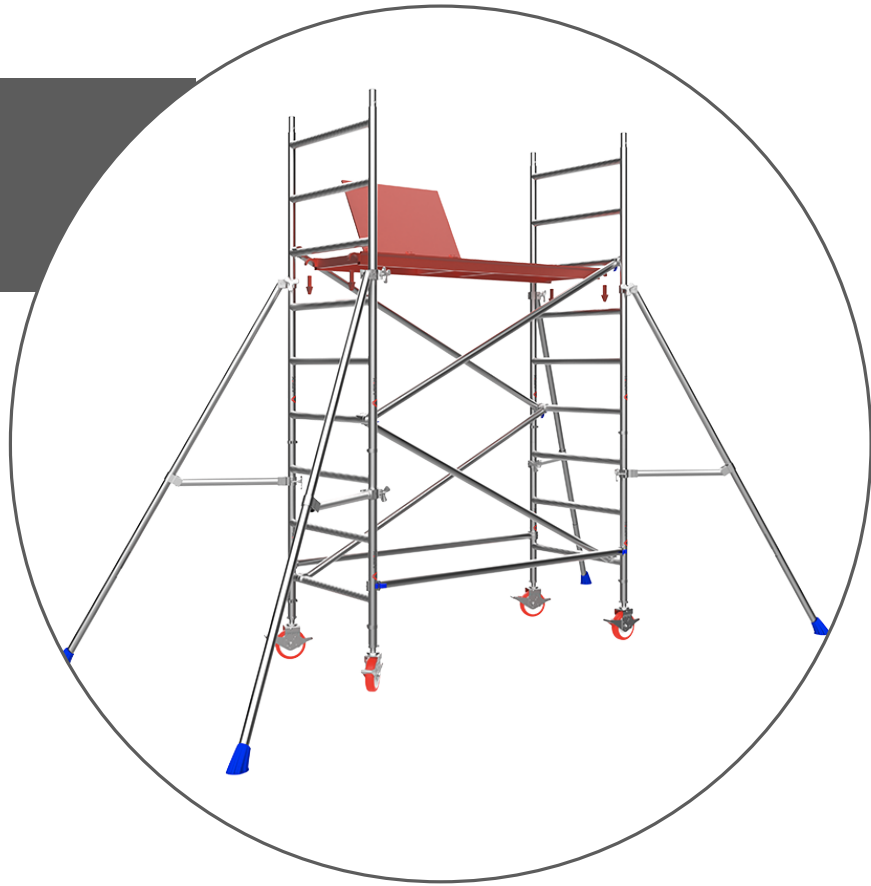
Step 6

Clamp the **4 Stabilizers** on all 4 corners as instructed in detail on **Page no.15**.



Step 7

Hook the Intermediate **Platform** on the **3rd Rung** of the 2nd level 6 rungs **Span Frame**.



Step 8

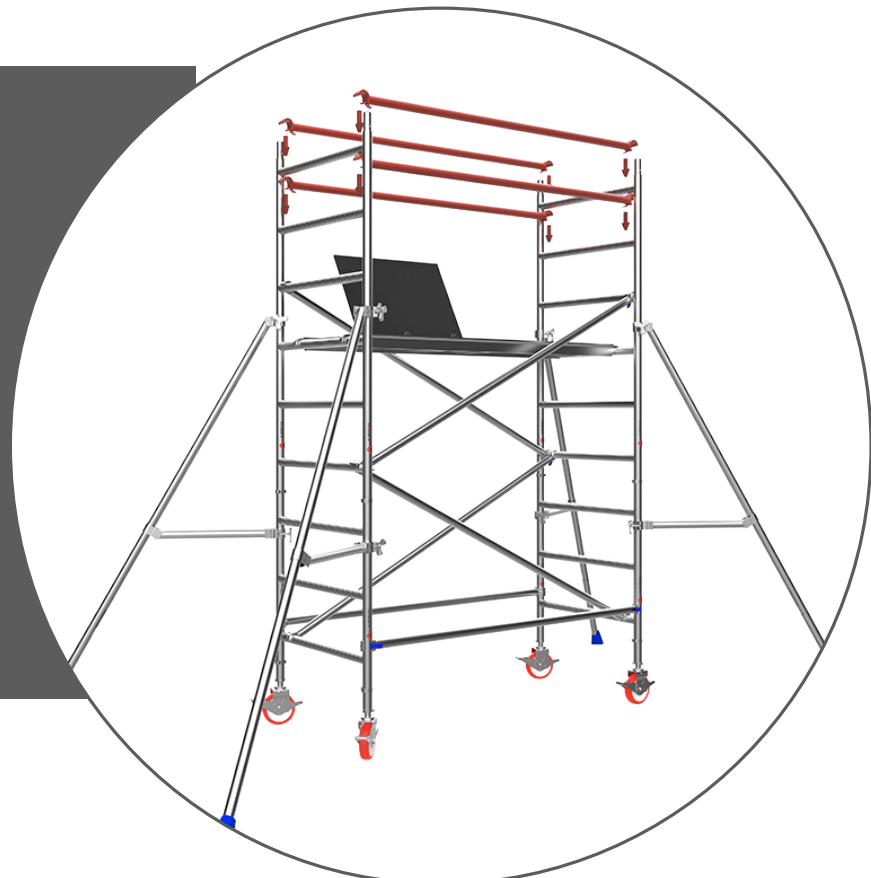
While sitting on the intermediate platform, with the safety belt hooked, take the following steps:

Step 8.1

Hook the lower pair of **Horizontal Braces** to the **5th Rung** of both the 2nd level 6 rungs **Span Frame**.

Step 8.2

Hook upper pair of **Horizontal Braces** to the **6th Rung** of both the of both the 2nd level 6 rungs **Span Frame**.

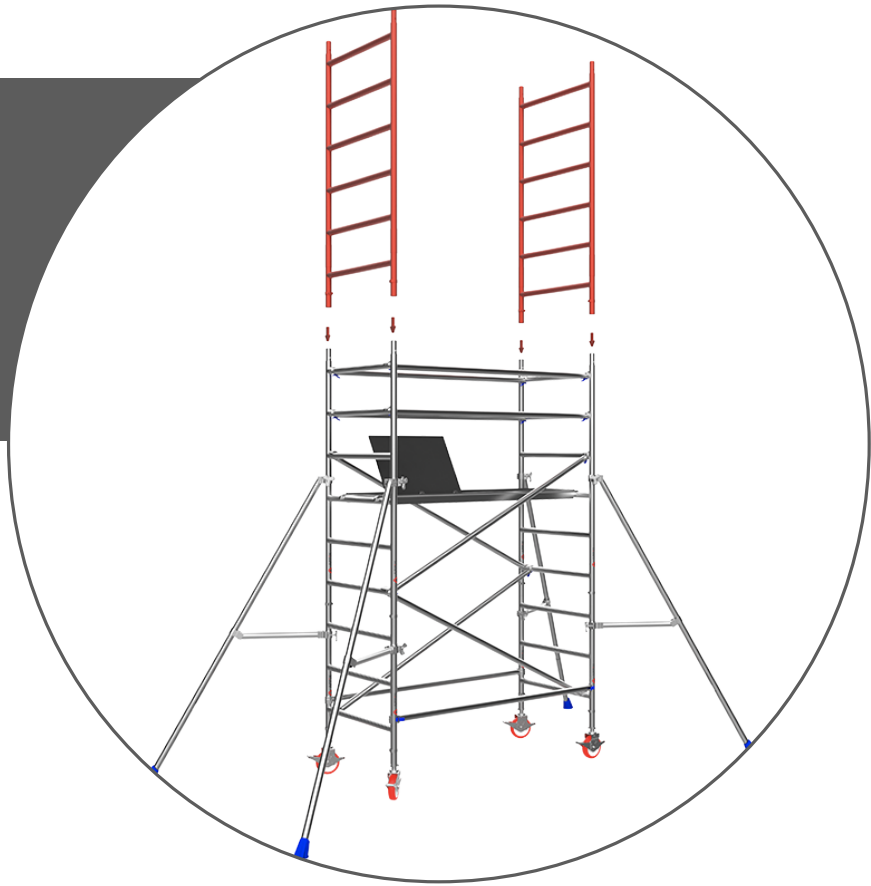


THIRD LEVEL

Step 9

Insert both the **3rd level 6 rungs Span Frames** into the spigots of 2nd level 6 rungs **Span Frame**.

For clamping instructions refer to the **Clamping Instructions** section on **Page 13**.



Step 10

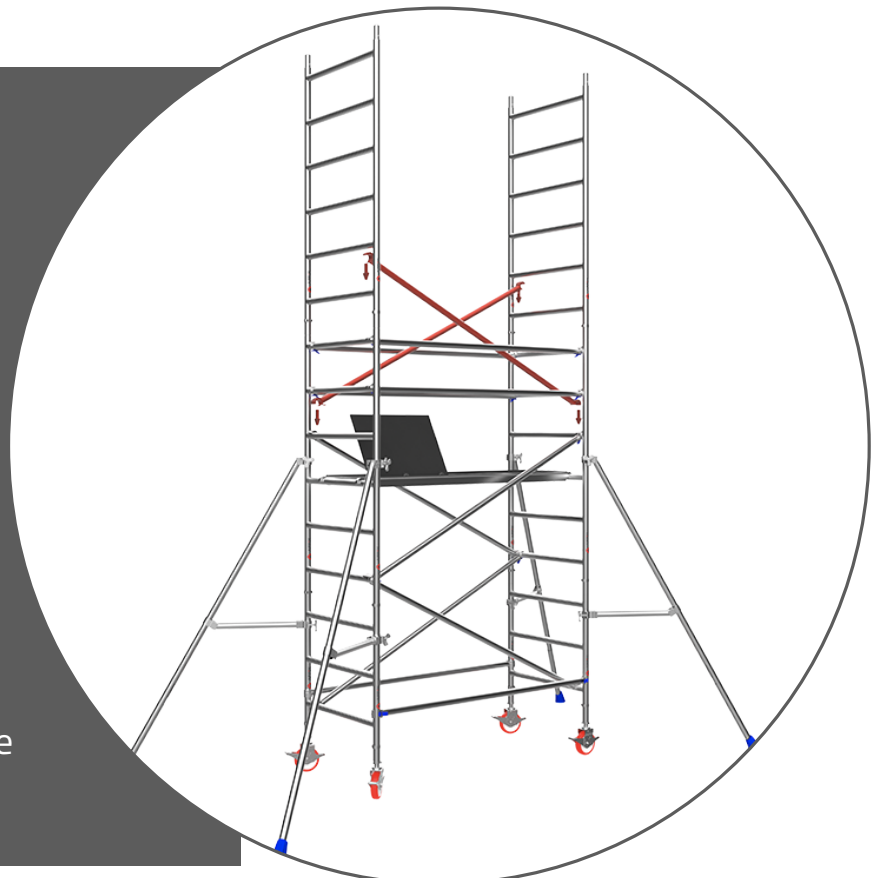
Step 10.1

Hook the Diagonal Brace to the **4th Rung** of the 2nd level 6 rungs **Span Frame** at one end and the other end should be hooked to the **1st Rung** of the 3rd level 6 rungs **Span Frame** on the other side.

Step 10.2

Hook the **2nd** Diagonal Brace to the **1st Rung** of the 3rd level 6 rungs **Span Frame** at one end and the other end should be hooked to the **4th Rung** of the 2nd level 6 rungs **Span Frame** on the other side.

Both the bracings should be in X shape while viewing from the side



Step 11

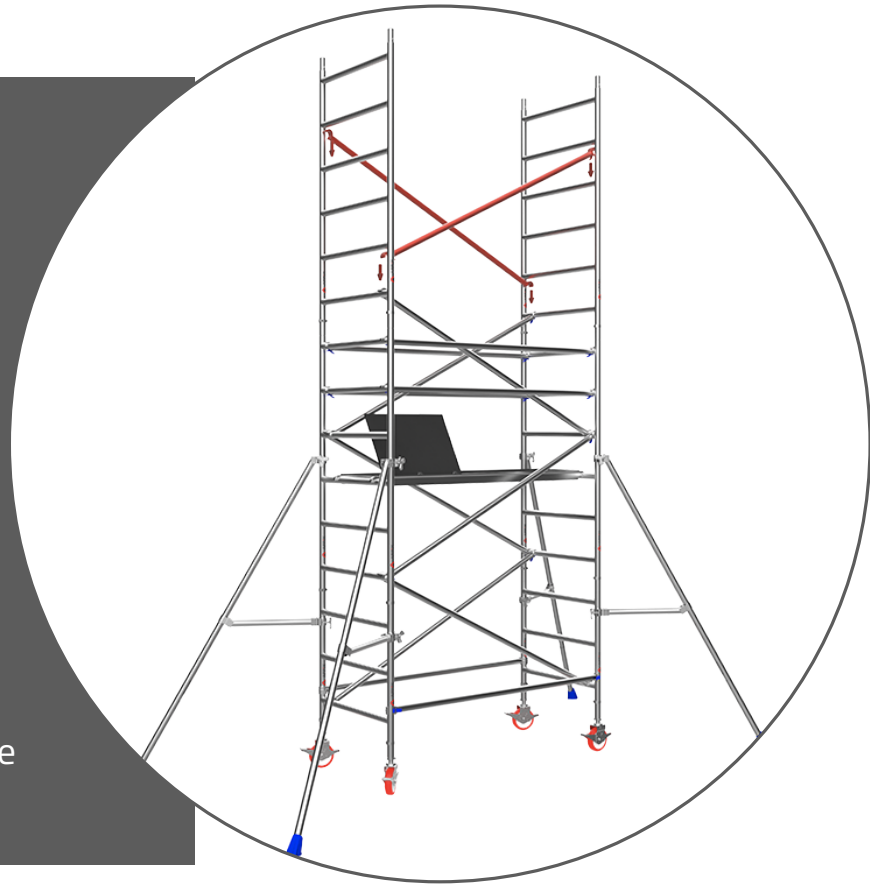
Step 11.1

Hook the Diagonal Brace to the **4th Rung** of the 3rd level 6 rungs **Span Frame** at one end and the other end should be hooked to the **1st Rung** of the 3rd level 6 rungs **Span Frame** on the other side.

Step 11.2

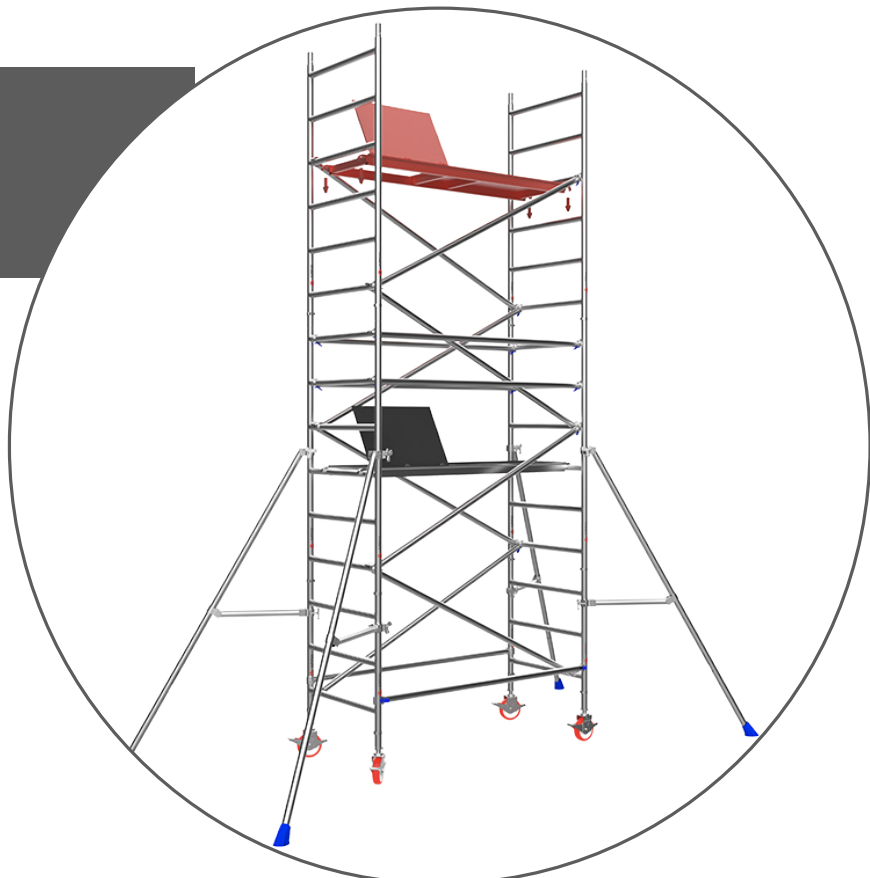
Hook the **2nd** Diagonal Brace to the **1st Rung** of the 3rd level 6 rungs **Span Frame** at one end and the other end should be hooked to the **4th Rung** of the 3rd level 6 rungs **Span Frame** on the other side.

Both the bracings should be in X shape while viewing from the side



Step 12

Hook the working **Platform** on the **3rd Rung** of the 3rd level 6 rungs **Span Frame**.



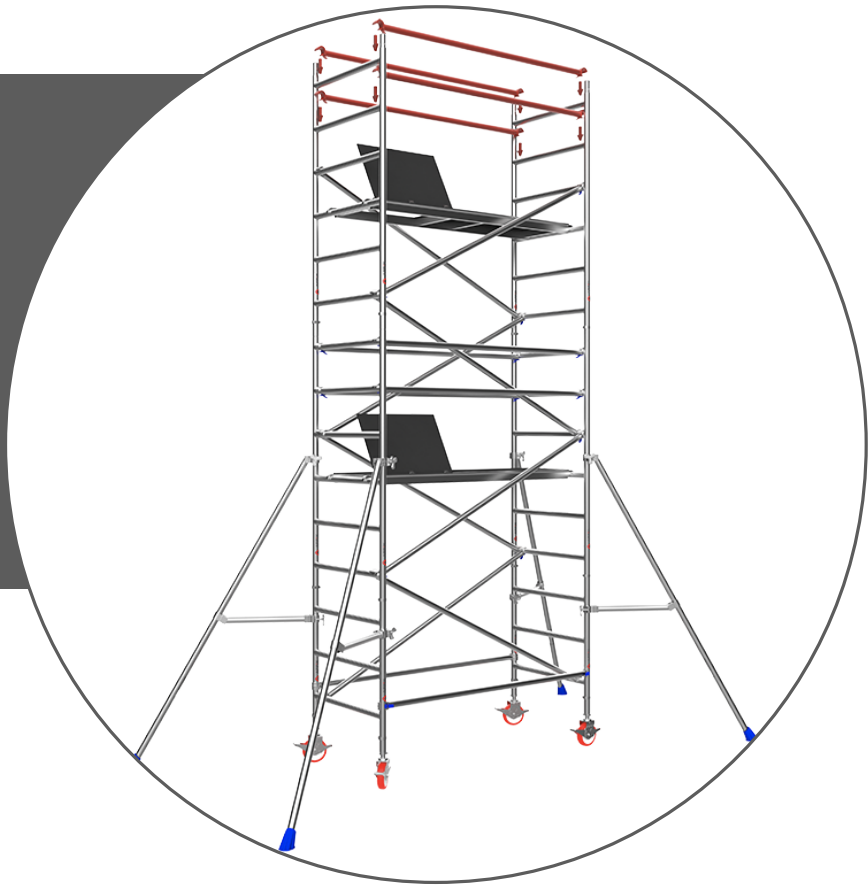
Step 13

Step 13.1

Hook the lower pair of **Horizontal Braces** to the **5th Rung** of both the 3rd level 6 rungs **Span Frames** on both the sides.

Step 13.2

Hook the upper pair of **Horizontal Braces** to the **6th Rung** of both the 3rd level 6 rungs **Span Frames** on both the sides.



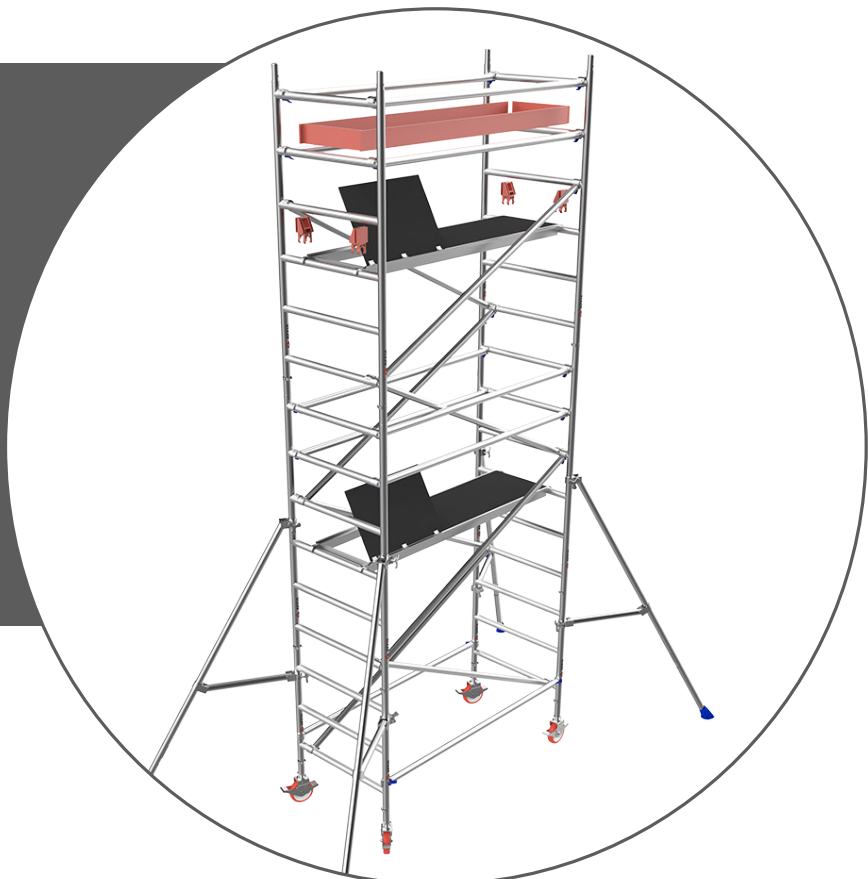
Step 14

Step 14.1

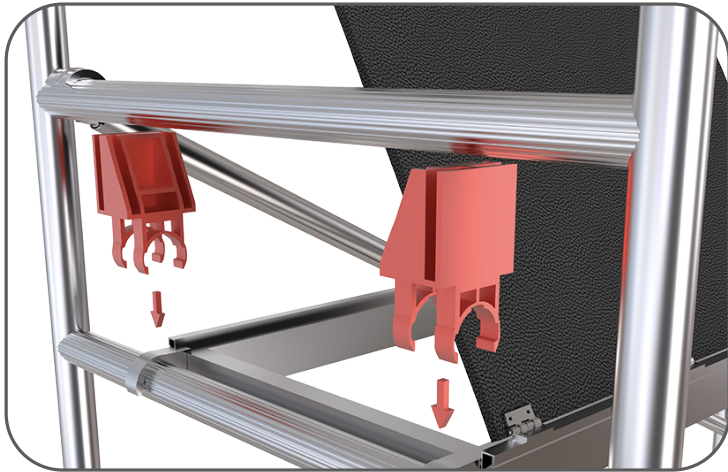
Clamp the 4 plastic toe-board holders on all the 4 corners of the working platform level, around the working platform. For more details, refer to **Toeboard Assembly Details on Page 13**.

Step 14.2

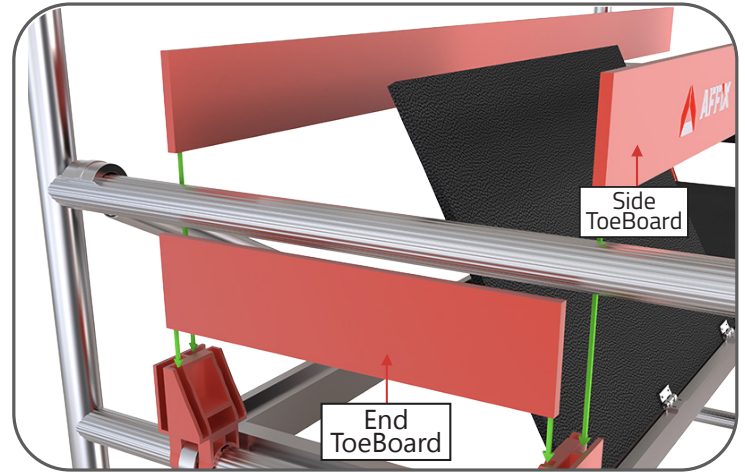
Insert the wooden toe-boards in the toe-board holder on all the 4 sides.



Toeboard Assembly Details



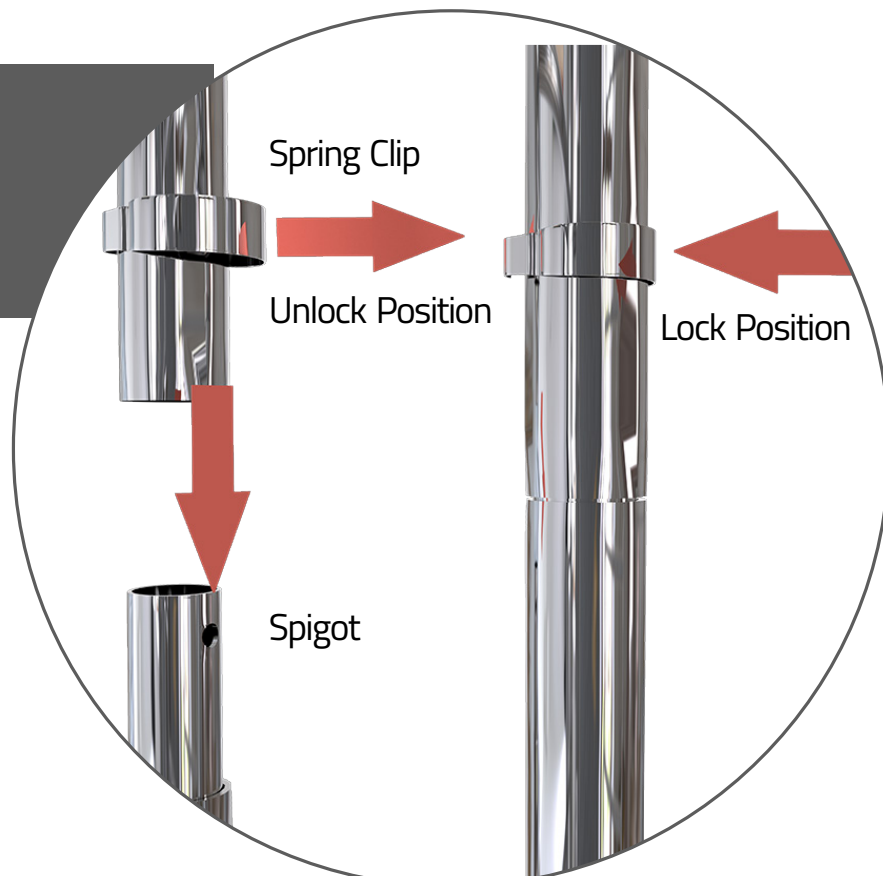
Fix the claw of the Toeboard **TB** on the **Rungs** facing each other as shown in the figure.



Then insert the **Side Toeboard** and the **End Toeboard** in the respective toeboard slots as shown in the figure.

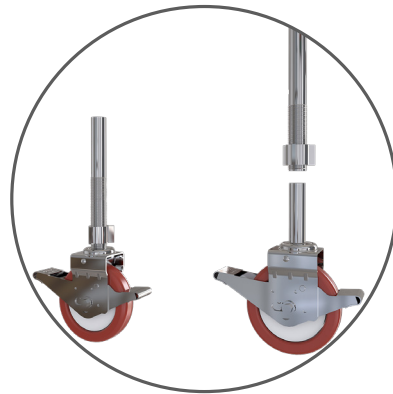
Clamping Instructions

Always ensure the **Spring Clips** are in the lock position after inserting the upper frame in the **Spigot**. To insert, unlock the **Spring Clip**.





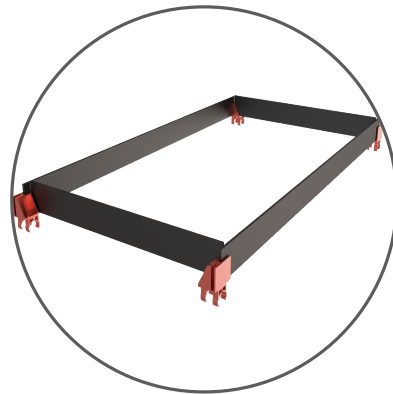
FS20900
Span Frame



CW150/200, JA500
Castor Wheel, Adjustable Jack



FS10900
Span Frame



BT200/250
ToeBoard Set



ST200/300/450/600
Stabilizer



PT200/250
Trapdoor Platform



BD200/250, BH200/250
Diagonal Brace, Horizontal Brace

Stabilizers are to be used, when specified, to guarantee the structural stability of the tower.

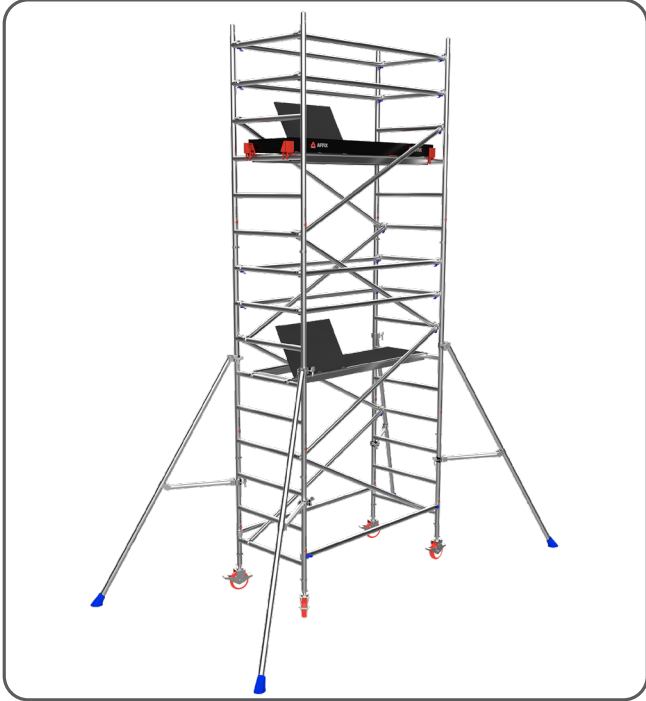


Fig. 01

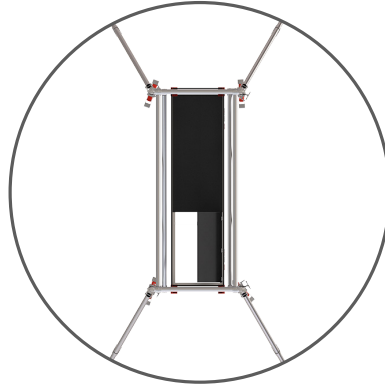


Fig. 02

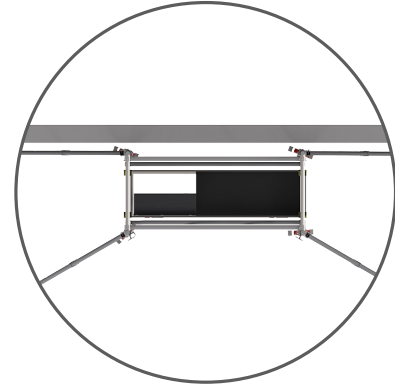


Fig. 03

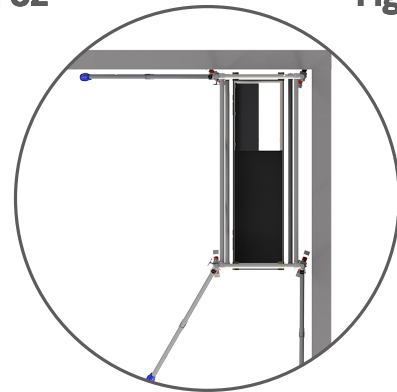


Fig. 04

Fig. 01

Lightly tighten the upper clamp of the stabilizer on each corner vertical posts at a height where the foot is touching the ground. Position the clamp of the lower arm such that the lower arm is as horizontal as possible.

Fig. 02

Position the stabilizers so that the footpads are approximately equidistant from each other.

Adjust the stabilizers and reposition the clamps as required to make firm contact with the ground. When in correct position, tighten all the clamps firmly.

Fig. 03

To position a tower against a wall, do not remove the stabilizer, move parallel to the wall.

Fig. 04

To position a tower in the corner of walls, remove the corner stabilizer and place the two towards the wall, parallel to the wall. The middle one should be placed as shown in the graphic Fig.04

Moving the Tower

To move the tower to a new position, first prepare the tower.

- Check that the wind speed does not exceed **17 mph**.
- Ensure the tower is empty (material and personnel).
- Check the overhead obstructions including electrical cables.
- Raise the stabilizer feet (only enough to clear obstructions, maximum 25mm).
- Taking care to ensure tower stability is maintained, release the castor brakes.
- Carefully move the tower by manually applying force at the base. Do Not Use mechanical means to move the tower.
- Once positioned, prepare the tower for use.
- Check and adjust as necessary to ensure all castors and stabilizers are in firm contact with the ground.
- Check that the tower is vertical.
- Reapply the castor brakes.

Comply To

- Certified and independently tested for use.
- Compliant to 3T Assembly process.
- Safe working load on the platform is 250kgs/Sq Mtr, evenly distributed.
- Maximum permissible distributed load on the tower 600 Kgs.

Type Approval

The scaffold towers referred to herein have been tested by



EN1004-1 Certification by TUV India



Statement of Confirmation

No.: CE/21-22/004

Client's Reference – TUV-EN-AL-MobileScaffoldings-001

Name & Address of the Manufacturer:

AFFIX SCAFFOLDING.

Hugo Building, Office No.13
Opp Old Fatihima Shopping Centre
Umm Dom Street, Muaither, Doha , Qatar

Product Type:

Aluminium Mobile Scaffoldings Single width, Double width and Mobile Tower

- Aluminium Scaffolding Single width length 2.0mtr
- Aluminium Scaffolding Single width length 2.5mtr
- Aluminium Scaffolding Double width length 2.0mtr
- Aluminium Scaffolding Double width length 2.5mtr
- Solo Tower
- Stairway Tower

Review Results/Observations:

Based on the tests carried out, review of the test reports submitted –
the above product/s, generally comply with the Safety requirements of the European Standard:

EN-1004-1:2020

Validity: 22 October 2024 (Subject to annual factory production control audits)



Mahesh Gaur

General Manager - Product Certification and Product Testing

(This Statement of Confirmation is valid under the conditions stated overleaf)



PO Box No. 201633 Doha, Qatar

Tel +974 4416 1483 Mobile +974 5529 9893

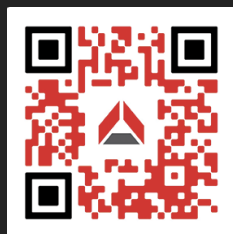
Fax +974 4450 6703 Mobile +974 3030 0685

E Mail : info@affixscaffolding.com

Website: www.affixscaffolding.com

Website

SCAN ME



 <https://twitter.com/affixscaffoldin>

 <https://www.facebook.com/affixscaffoldin>

 <https://www.linkedin.com/company/affix-scaffolding-llc/>